



# **Creative Fabrica**

**Embroidery Design  
Sewing Information**

**[www.creativefabrica.com/embroidery/](http://www.creativefabrica.com/embroidery/)**

© Creative Fabrica



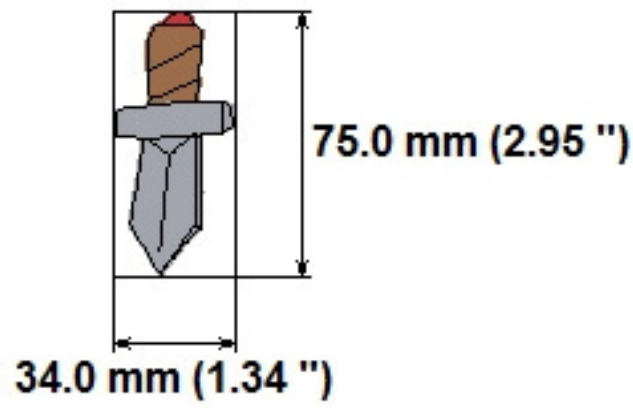
www.sewterific.com

**Needle Thread consumption**

1	1056	25.9%	(3.7 m)
2	1011	62.1%	(9.0 m)
3	1146	2.6%	(0.4 m)
4	1006	9.4%	(1.3 m)

Upper thread 14.4 m  
 Bobbin 4.8 m  
 Catalog: Madeira Rayon

**File: MBDaggerSewTerific.vip (Pfaff)**  
**Design name: MBDagger DSC.QEP**  
**Stitches: 3423**  
**Size: 34.0 x 75.0 mm (1.34 x 2.95 ")**  
**Begin: 17.0, 37.5 mm**  
**End: 17.0, 37.5 mm**  
**Start needle: 1**  
**Colors: 4/4 , Stops: 3**  
**Date: 4/8/2021**



**Histogram**

Stitches ratio diagram:



- ( 918) Stop 1
- (2857) Stop 2
- (2929) Stop 3
- (3423) End

