



Creative Fabrica

**Embroidery Design
Sewing Information**

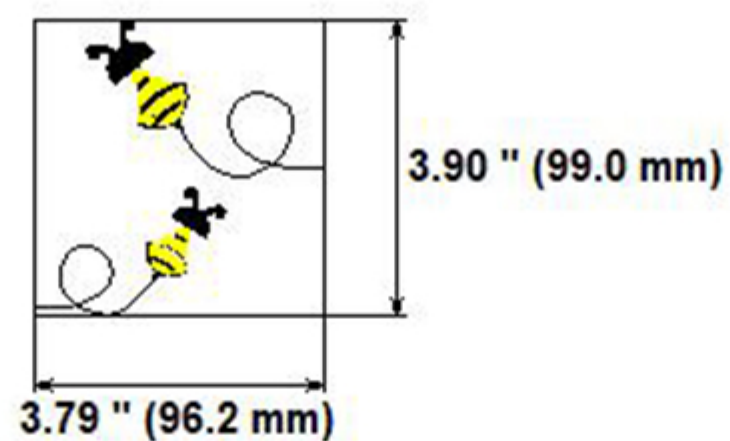
www.creativefabrica.com/embroidery/

© Creative Fabrica

Needle Thread consumption

1	1908 st.	53.8%	(26.1 ft)
2	503 st.	29.8%	(14.4 ft)
3	713 st.	16.4%	(8.0 ft)

Upper thread 48.5 ft
Bobbin 16.2 ft

File: 2 bees100.hus (Viking Husqvarna)**Design name: 2 bees10****Stitches: 3124****Size: 3.79 x 3.90 " (96.2 x 99.0 mm)****Begin: 1.89, 1.95 "****End: 1.56, 0.70 "****Start needle: 1****Colors: 3/3 , Stops: 2****Histogram**

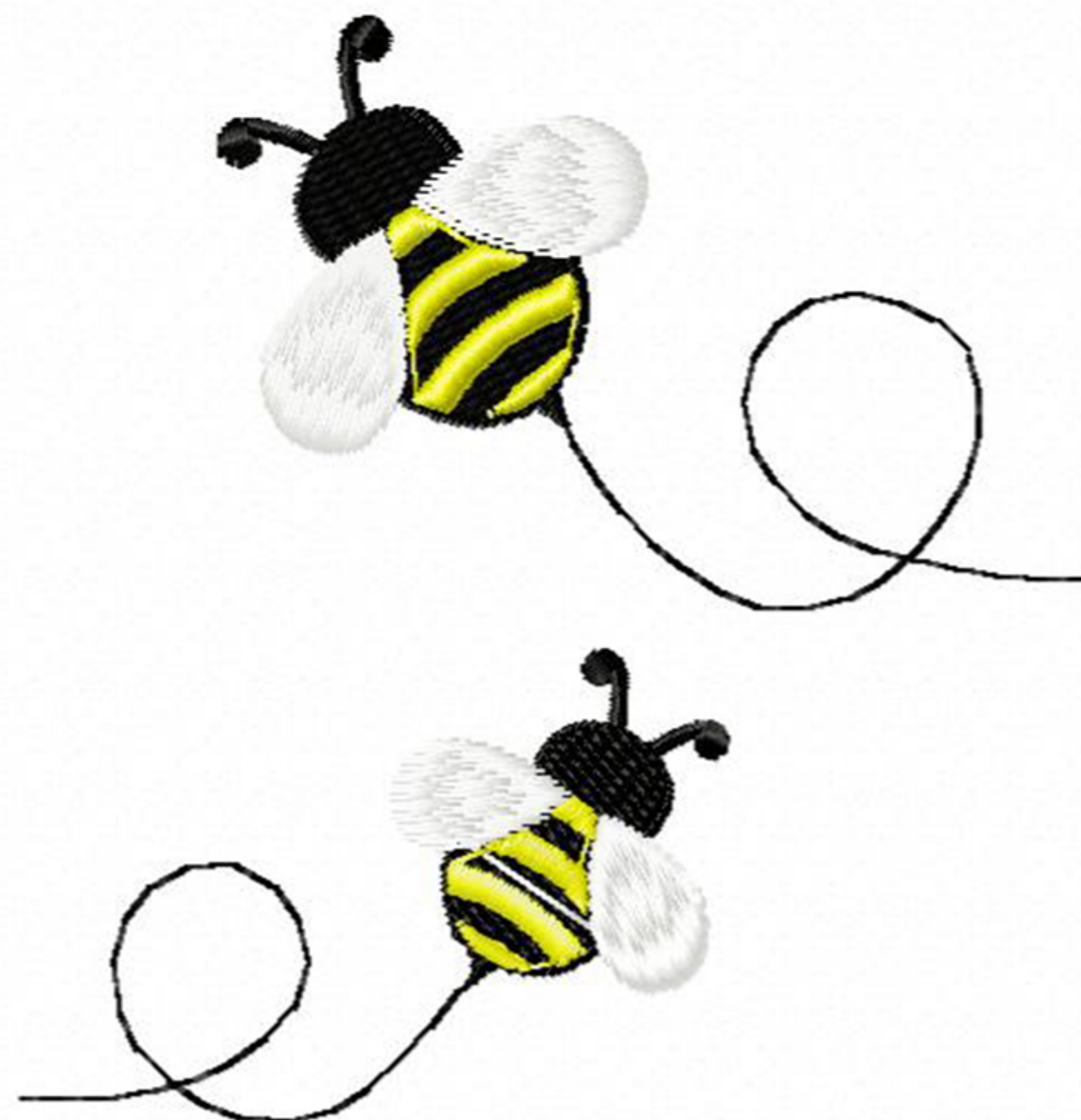
(1909) Stop 1
(2412) Stop 2
(3124) End

Stitches ratio diagram:



This area is reserved for your logo. Place logo.bmp file (width: 289 , height: 98 pixels) in the same folder as embird.exe file.

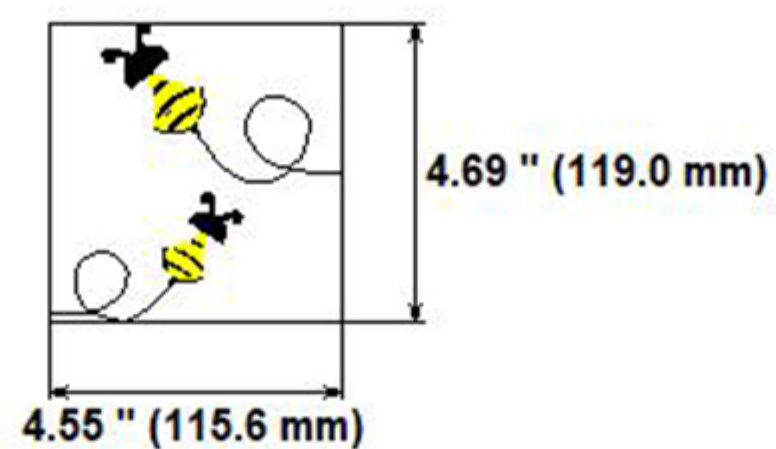
This area is reserved for your address information. Place address.txt text file containing your address in the same folder as embird.exe file.



Needle Thread consumption

1 ■	2476 st.	53.2%	(35.9 ft)
2 ■	692 st.	30.5%	(20.6 ft)
3 ■	861 st.	16.3%	(11.0 ft)

Upper thread 67.4 ft
Bobbin 22.5 ft

File: 2 bees120.hus (Viking Husqvarna)**Design name: 2 bees12****Stitches: 4029****Size: 4.55 x 4.69 " (115.6 x 119.0 mm)****Begin: 2.28, 2.34 "****End: 1.87, 0.84 "****Start needle: 1****Colors: 3/3 , Stops: 2****Histogram**

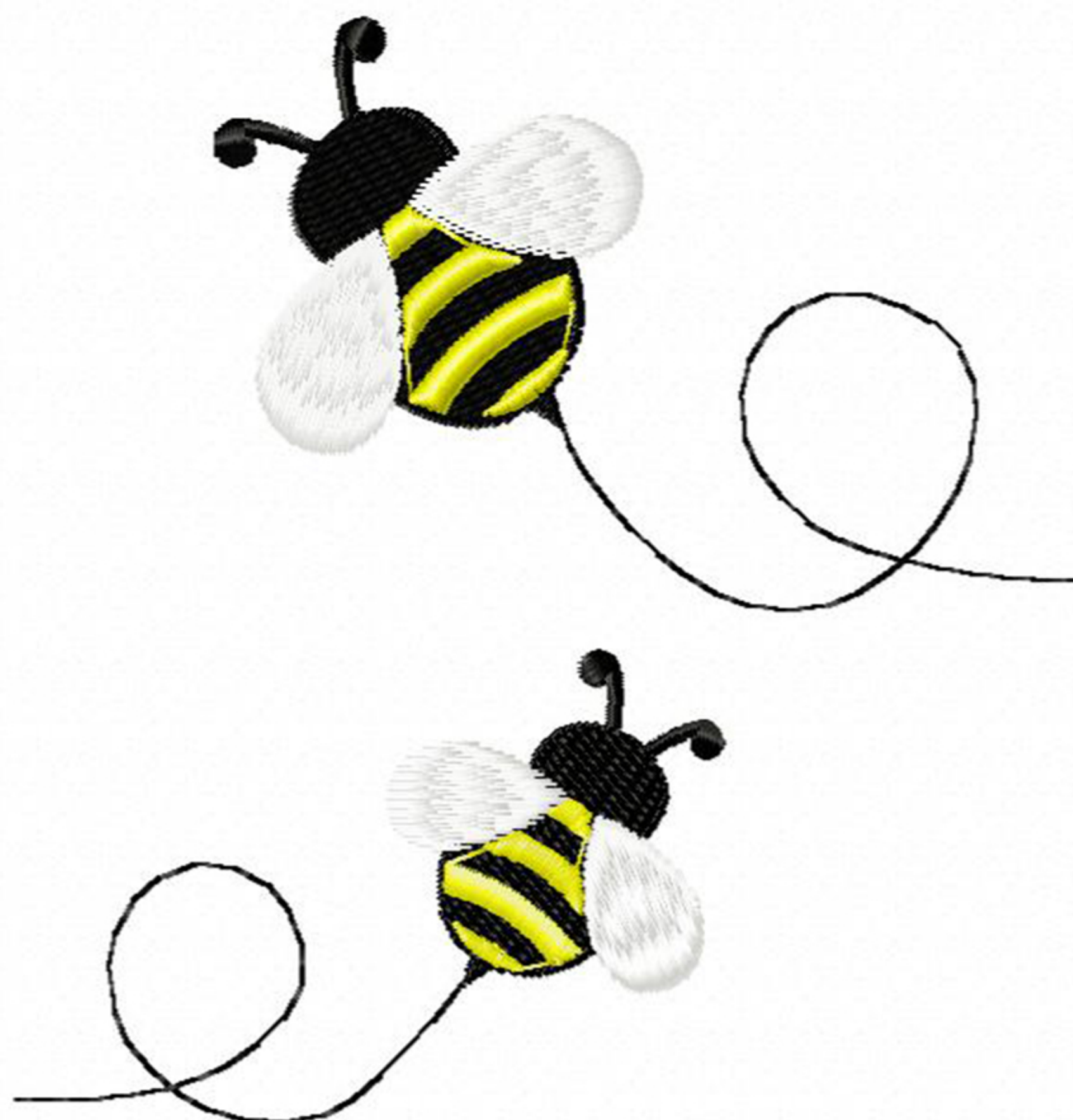
(2477) Stop 1
(3169) Stop 2
(4029) End

Stitches ratio diagram:



This area is reserved for your logo. Place logo.bmp file (width: 289 , height: 98 pixels) in the same folder as embird.exe file.

This area is reserved for your address information. Place address.txt text file containing your address in the same folder as embird.exe file.



Needle Thread consumption

1 ■ 3098 st.	52.8% (47.1 ft)
2 ■ 914 st.	31.3% (27.9 ft)
3 ■ 989 st.	15.9% (14.2 ft)

Upper thread 89.2 ft
Bobbin 29.7 ft

File: 2 bees140.hus (Viking Husqvarna)

Design name: 2 bees14

Stitches: 5001

Size: 5.31 x 5.47 " (135.0 x 139.0 mm)

Begin: 2.66, 2.74 "

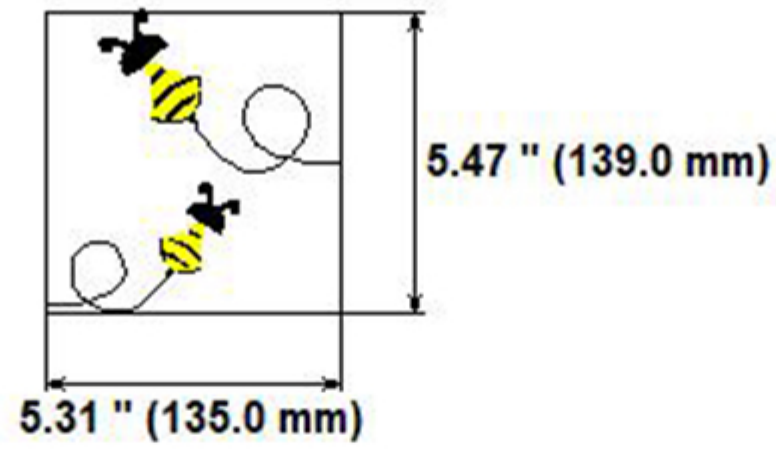
End: 2.18, 0.98 "

Start needle: 1

Colors: 3/3 , Stops: 2

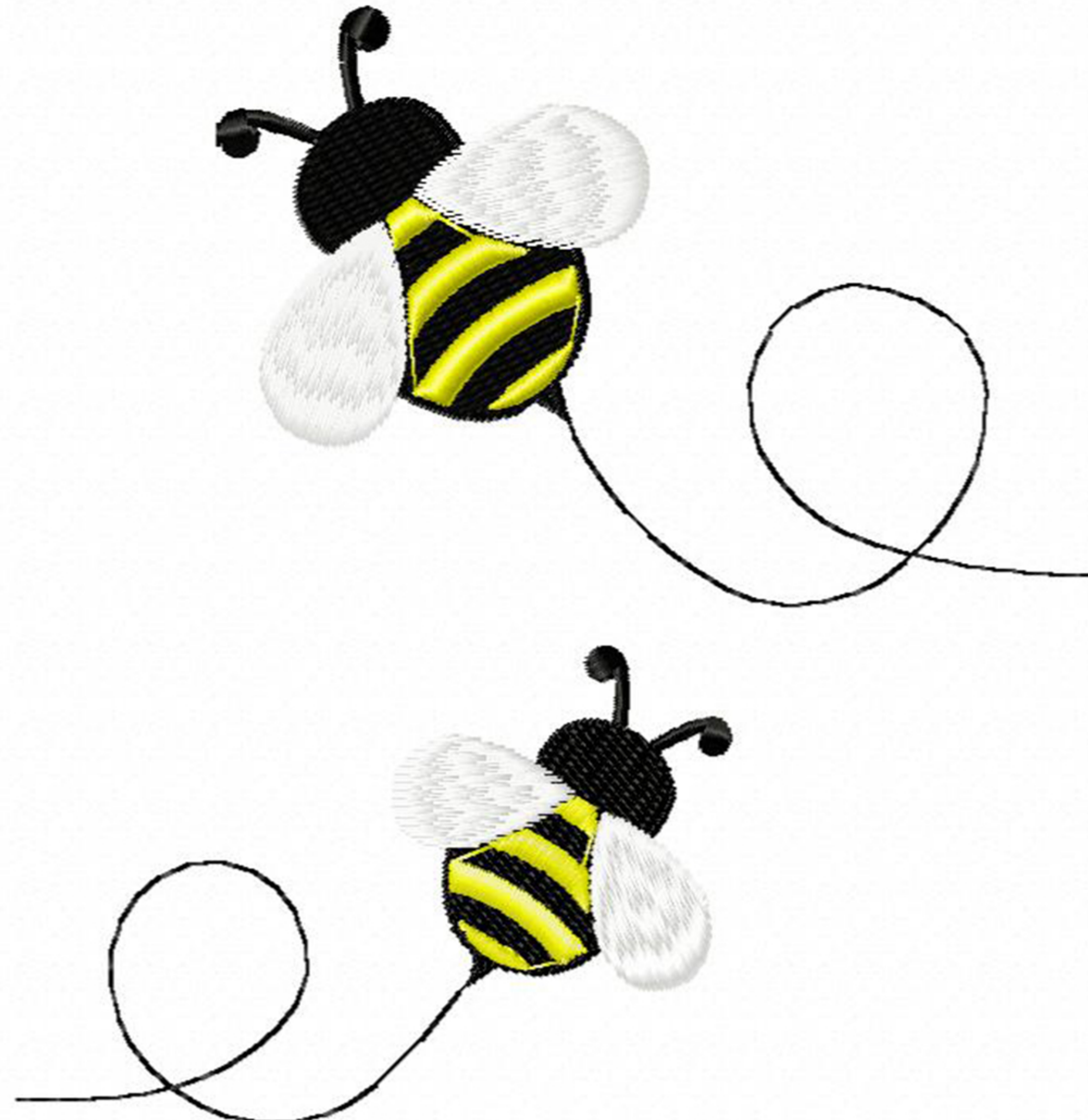
This area is reserved for your logo. Place logo.bmp file (width: 289 , height: 98 pixels) in the same folder as embird.exe file.

This area is reserved for your address information. Place address.txt text file containing your address in the same folder as embird.exe file.



Histogram

(3099) Stop 1
(4013) Stop 2
(5001) End



Needle Thread consumption

1	3818 st.	52.5%	(60.0 ft)
2	1134 st.	31.6%	(36.1 ft)
3	1143 st.	15.9%	(18.2 ft)

Upper thread 114.2 ft
 Bobbin 38.1 ft

File: 2 bees160.hus (Viking Husqvarna)

Design name: 2 bees16

Stitches: 6095

Size: 6.08 x 6.26 " (154.4 x 159.0 mm)

Begin: 3.04, 3.13 "

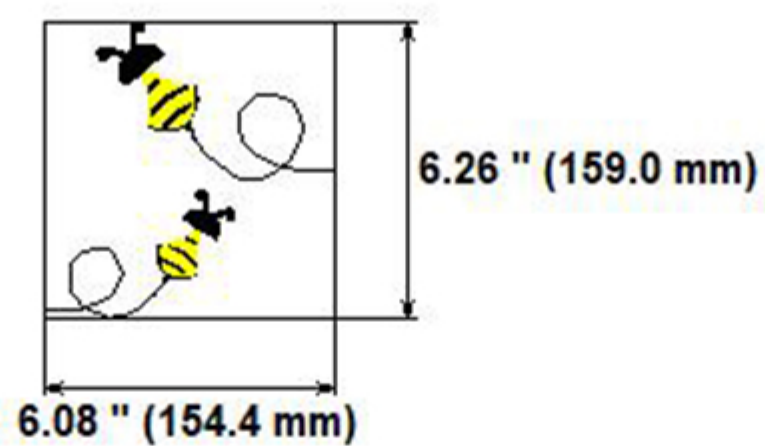
End: 2.49, 1.13 "

Start needle: 1

Colors: 3/3 , Stops: 2

This area is reserved for your logo. Place logo.bmp file (width: 289 , height: 98 pixels) in the same folder as embird.exe file.

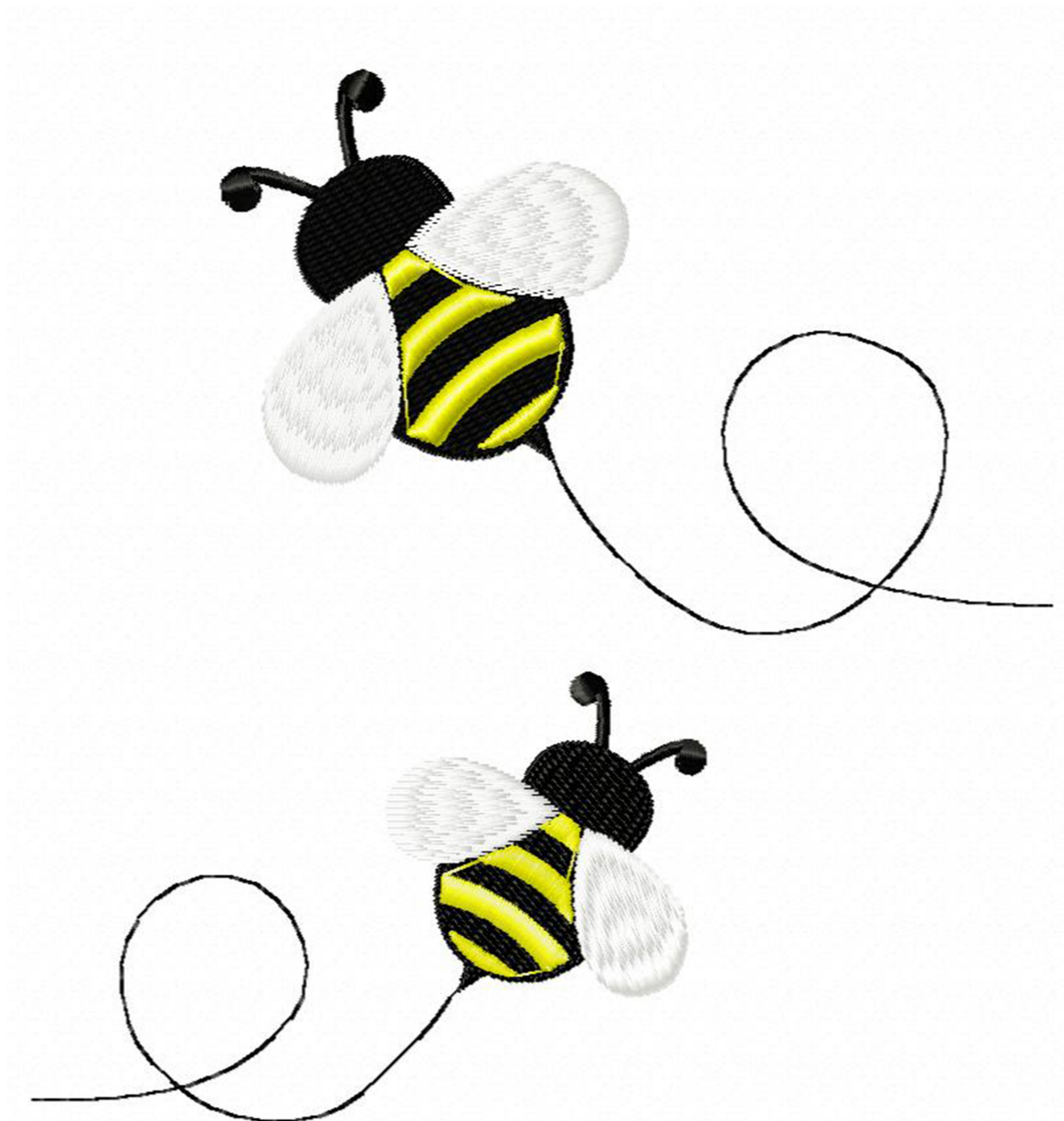
This area is reserved for your address information. Place address.txt text file containing your address in the same folder as embird.exe file.



Histogram

- (3819) Stop 1
- (4953) Stop 2
- (6095) End

Stitches ratio diagram:



Needle Thread consumption

1	4572 st.	52.3%	(74.5 ft)
2	1402 st.	32.1%	(45.7 ft)
3	1278 st.	15.7%	(22.4 ft)

Upper thread	142.6 ft
Bobbin	47.5 ft

File: 2 bees180.hus (Viking Husqvarna)

Design name: 2 bees18

Stitches: 7252

Size: 6.85 x 7.05 " (174.0 x 179.0 mm)

Begin: 3.43, 3.52 "

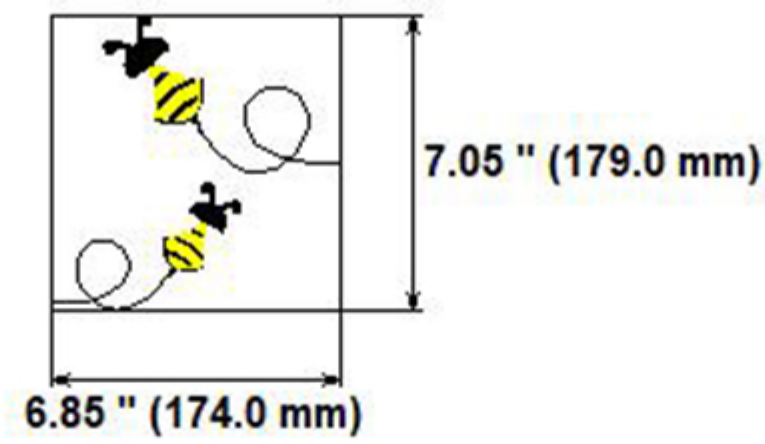
End: 2.81, 1.27 "

Start needle: 1

Colors: 3/3 , Stops: 2

This area is reserved for your logo. Place logo.bmp file (width: 289 , height: 98 pixels) in the same folder as embird.exe file.

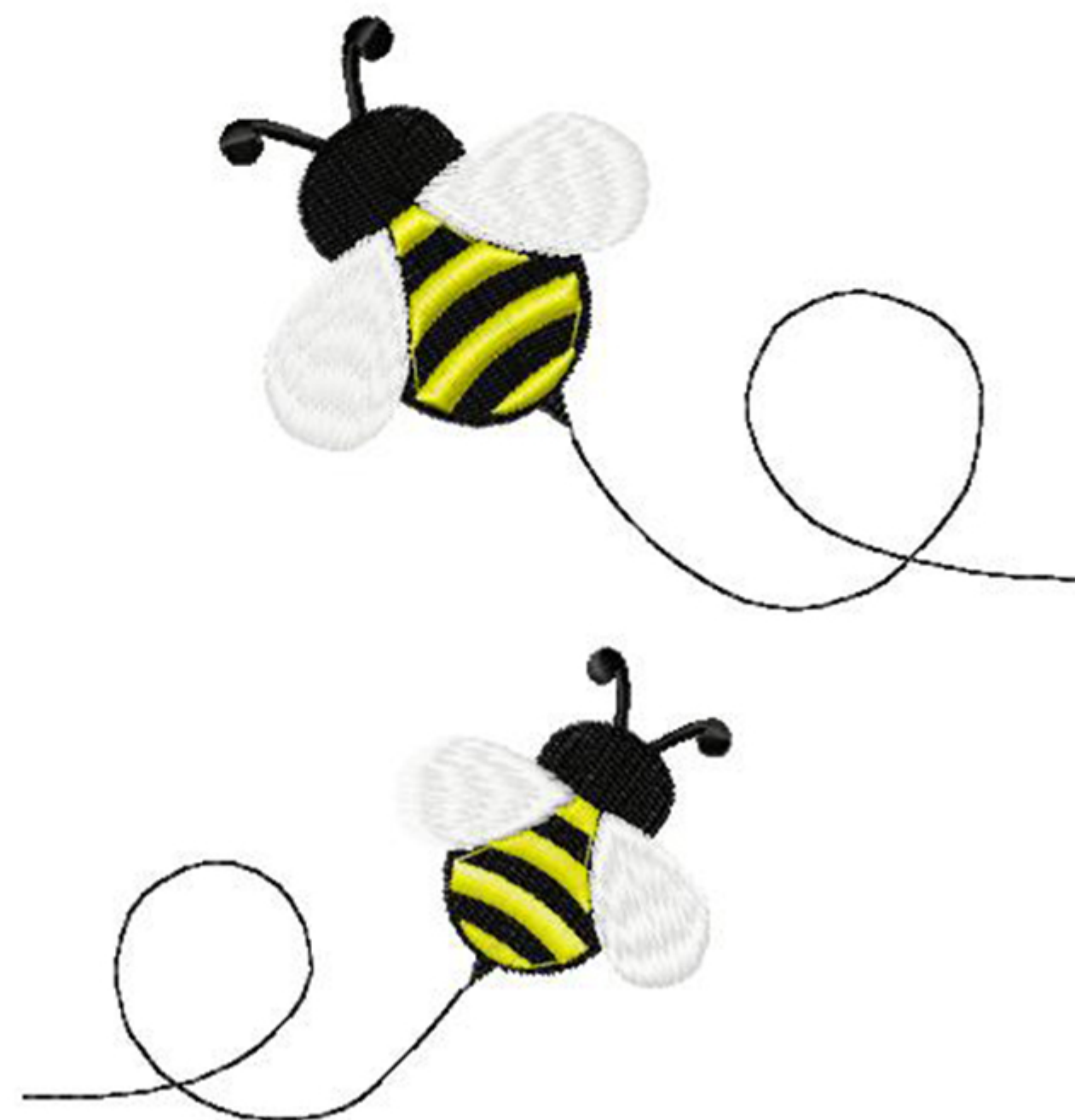
This area is reserved for your address information. Place address.txt text file containing your address in the same folder as embird.exe file.



Histogram

(4573)	Stop 1
(5975)	Stop 2
(7252)	End

Stitches ratio diagram:



Needle Thread consumption

1	5358 st.	52.0% (89.7 ft)
2	1690 st.	32.5% (56.1 ft)
3	1426 st.	15.5% (26.8 ft)

Upper thread 172.6 ft
 Bobbin 57.5 ft

File: 2 bees200.hus (Viking Husqvarna)

Design name: 2 bees20

Stitches: 8474

Size: 7.61 x 7.83 " (193.4 x 199.0 mm)

Begin: 3.81, 3.92 "

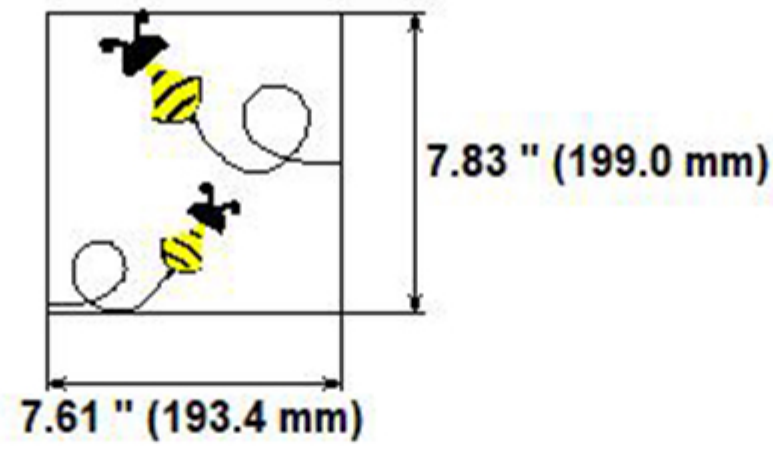
End: 3.12, 1.41 "

Start needle: 1

Colors: 3/3 , Stops: 2

This area is reserved for your logo. Place logo.bmp file (width: 289 , height: 98 pixels) in the same folder as embird.exe file.

This area is reserved for your address information. Place address.txt text file containing your address in the same folder as embird.exe file.



Stitches ratio diagram:



Histogram

- (5359) Stop 1
- (7049) Stop 2
- (8474) End

