



Creative Fabrica

**Embroidery Design
Sewing Information**

www.creativefabrica.com/embroidery/

© Creative Fabrica

Production Worksheet

Wilcom EmbroideryStudio - Designing

2.50 X 1

Design: **2.50 x 1**

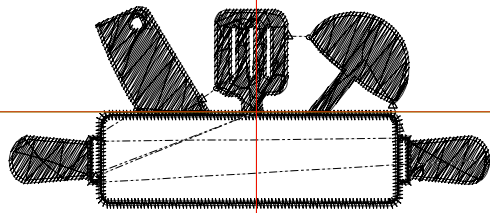
Title:

Stitches: 2,337
 Height: 1.05 in
 Width: 2.51 in
 Colors: 1
 Colorway: Colorway 1
 Zoom: 1:1

Machine format: Tajima
 Color changes: 0
 Stops: 1
 Trims: 7
 Appliqués: 0
 Left: 32.8 mm
 Right: 30.9 mm
 Up: 14.0 mm
 Down: 12.8 mm
 EndX: 0.00 in
 EndY: 0.00 in
 Area: 2.64 in²
 Max stitch: 6.6 mm
 Min stitch: 0.1 mm
 Max jump: 6.6 mm
 Total thread: 35.02ft
 Total bobbin: 11.47ft

Stop Sequence:

#	N#	Color	St.	Code	Name	Chart
1.	8	█	2,335		R0 G0 B0	



Production Worksheet

Wilcom EmbroideryStudio - Designing

3.50 X 1

Design: 3.50 x 1

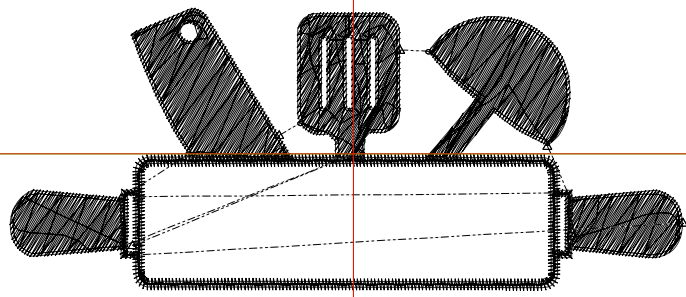
Title:

Stitches: 3,550
 Height: 1.47 in
 Width: 3.50 in
 Colors: 1
 Colorway: Colorway 1
 Zoom: 1:1

Machine format: Tajima
 Color changes: 0
 Stops: 1
 Trims: 7
 Appliqués: 0
 Left: 45.5 mm
 Right: 43.6 mm
 Up: 19.3 mm
 Down: 18.1 mm
 EndX: 0.00 in
 EndY: 0.00 in
 Area: 5.15 in²
 Max stitch: 6.9 mm
 Min stitch: 0.1 mm
 Max jump: 6.9 mm
 Total thread: 57.89ft
 Total bobbin: 20.31ft

Stop Sequence:

#	N#	Color	St.	Code	Name	Chart
1.	8	█	3,548		R0 G0 B0	



Production Worksheet

Wilcom EmbroideryStudio - Designing

4.50 X 1

Design: 4.50 x 1

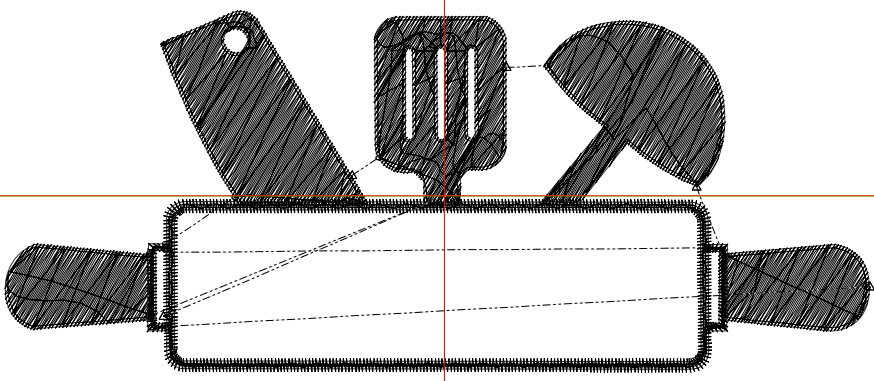
Title:

Stitches: 4,907
 Height: 1.88 in
 Width: 4.51 in
 Colors: 1
 Colorway: Colorway 1
 Zoom: 1:1

Machine format: Tajima
 Color changes: 0
 Stops: 1
 Trims: 7
 Appliqués: 0
 Left: 58.2 mm
 Right: 56.3 mm
 Up: 24.5 mm
 Down: 23.3 mm
 EndX: 0.00 in
 EndY: 0.00 in
 Area: 8.49 in²
 Max stitch: 6.8 mm
 Min stitch: 0.1 mm
 Max jump: 6.8 mm
 Total thread: 85.37ft
 Total bobbin: 31.31ft

Stop Sequence:

#	N#	Color	St.	Code	Name	Chart
1.	8	█	4,905		R0 G0 B0	



Production Worksheet

Wilcom EmbroideryStudio - Designing

5.50 X 2

Design: **5.50 x 2**

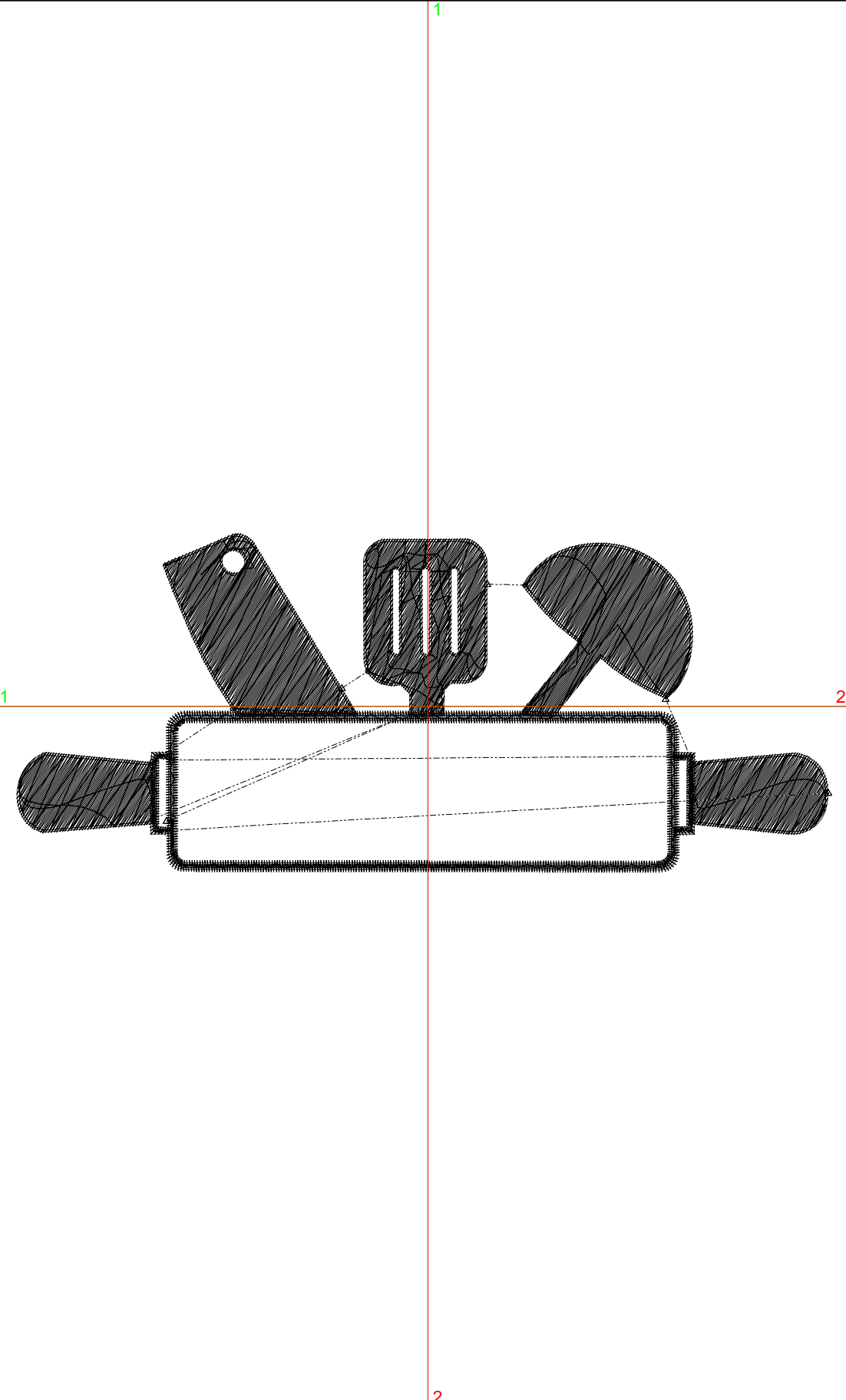
Title:

Stitches: 6,511
 Height: 2.30 in
 Width: 5.51 in
 Colors: 1
 Colorway: Colorway 1
 Zoom: 1:1

Machine format: Tajima
 Color changes: 0
 Stops: 1
 Trims: 7
 Appliqués: 0
 Left: 70.9 mm
 Right: 69.0 mm
 Up: 29.8 mm
 Down: 28.6 mm
 EndX: 0.00 in
 EndY: 0.00 in
 Area: 12.66 in²
 Max stitch: 6.8 mm
 Min stitch: 0.2 mm
 Max jump: 6.8 mm
 Total thread: 119.10ft
 Total bobbin: 45.06ft

Stop Sequence:

#	N#	Color	St.	Code	Name	Chart
1.	8	█	6,509		R0 G0 B0	



Production Worksheet

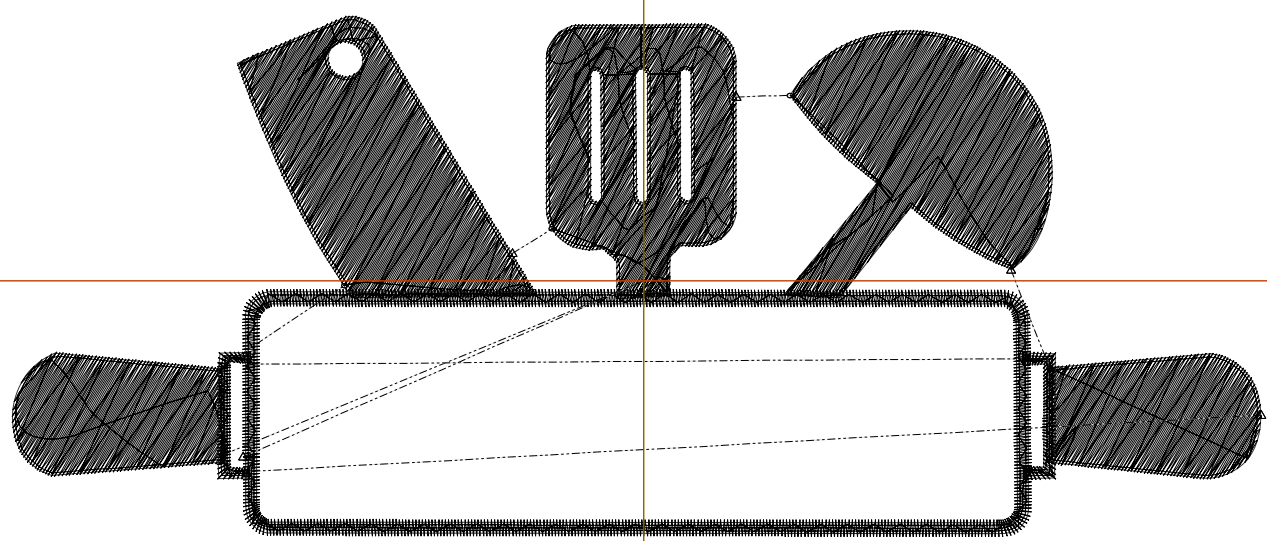
Wilcom EmbroideryStudio - Designing

6.50 X 2

Design: 6.50 x 2

Title:

Stitches: 8,272
Height: 2.71 in
Width: 6.50 in
Colors: 1
Colorway: Colorway 1
Zoom: 1:1



Production Worksheet

Wilcom EmbroideryStudio - Designing

6.50 X 2

Design: **6.50 x 2**

Title:

Stitches: 8,272
 Height: 2.71 in
 Width: 6.50 in
 Colors: 1
 Colorway: Colorway 1
 Zoom: 1:1

Machine format: Tajima
 Color changes: 0
 Stops: 1
 Trims: 7
 Appliqués: 0
 Left: 83.6 mm
 Right: 81.7 mm
 Up: 35.0 mm
 Down: 33.9 mm
 EndX: 0.00 in
 EndY: 0.00 in
 Area 17.65 in²
 Max stitch: 8.4 mm
 Min stitch: 0.2 mm
 Max jump: 7.0 mm
 Total thread: 157.89ft
 Total bobbin: 61.21ft

Stop Sequence:

#	N#	Color	St.	Code	Name	Chart
1.	8	██████	8,270		R0 G0 B0	

Production Worksheet

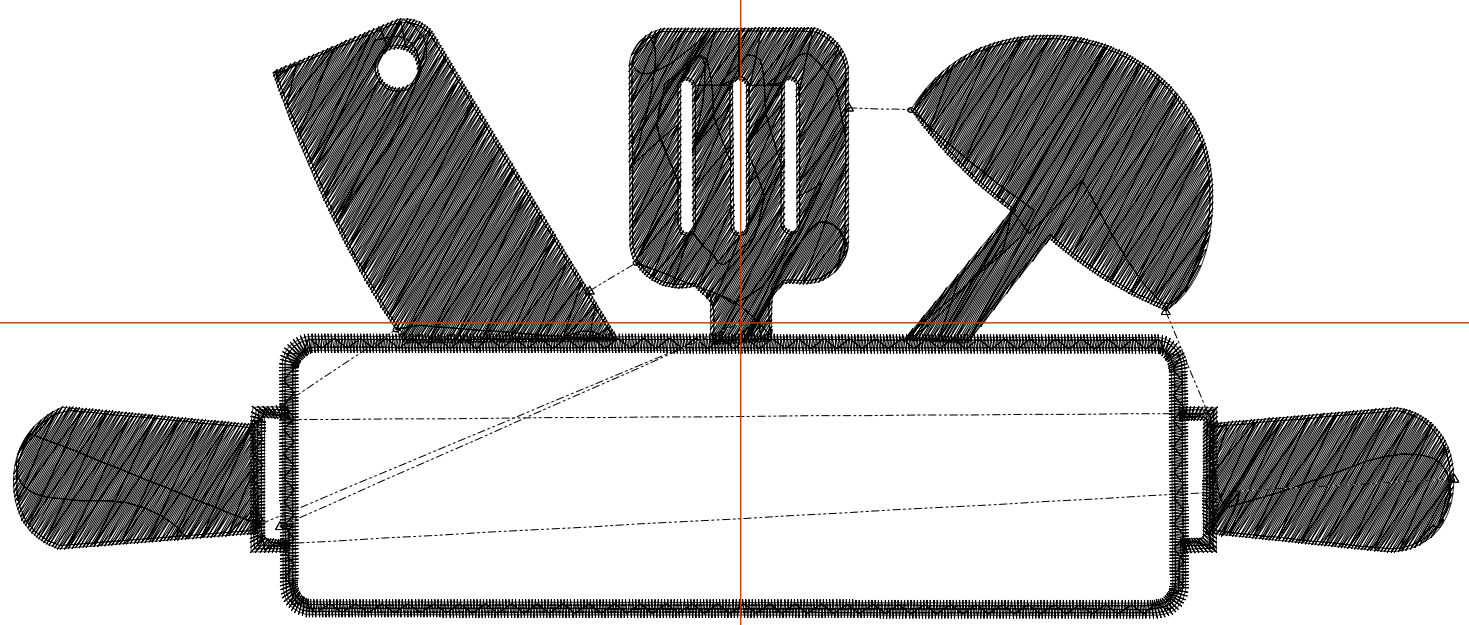
Wilcom EmbroideryStudio - Designing

7.50 X 3

Design: **7.50 x 3**

Title:

Stitches: 10,269
Height: 3.13 in
Width: 7.50 in
Colors: 1
Colorway: Colorway 1
Zoom: 1:1



Production Worksheet

Wilcom EmbroideryStudio - Designing

7.50 X 3


Design: **7.50 x 3**

Title:

Stitches: 10,269
 Height: 3.13 in
 Width: 7.50 in
 Colors: 1
 Colorway: Colorway 1
 Zoom: 1:1

Machine format: Tajima
 Color changes: 0
 Stops: 1
 Trims: 7
 Appliqués: 0
 Left: 96.3 mm
 Right: 94.4 mm
 Up: 40.3 mm
 Down: 39.1 mm
 EndX: 0.00 in
 EndY: 0.00 in
 Area 23.47 in²
 Max stitch: 9.8 mm
 Min stitch: 0.3 mm
 Max jump: 7.0 mm
 Total thread: 202.58ft
 Total bobbin: 79.92ft

Stop Sequence:

#	N#	Color	St.	Code	Name	Chart
1.	8		10,267		R0 G0 B0	