



Creative Fabrica

**Embroidery Design
Sewing Information**

www.creativefabrica.com/embroidery/

© Creative Fabrica

Approval Sheet

Wilcom EmbroideryStudio – Level 3 Advanced



Design: 3.00 x 1.82 inch

Colorway: Colorway 1

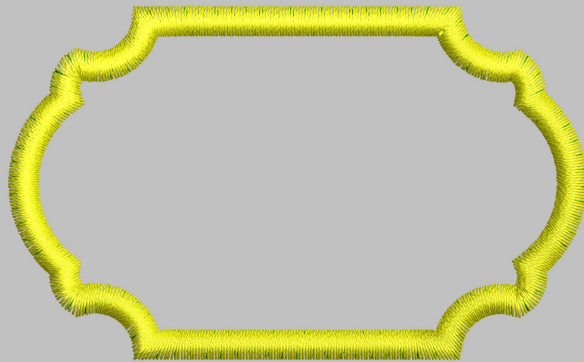
Stitches: 1630

Colors: 4

Height: 46.6 mm

Width: 76.6 mm

Zoom: 1:1



Production Worksheet

Wilcom EmbroideryStudio – Level 3 Advanced



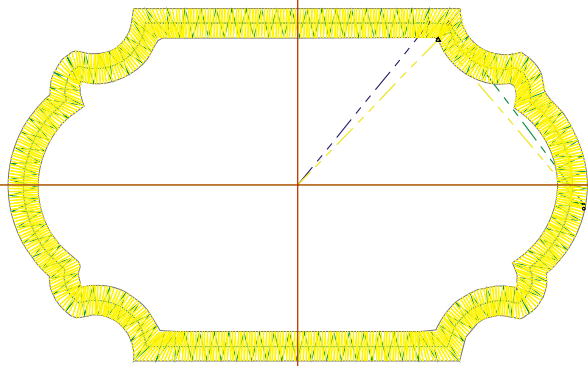
Design: 3.00 x 1.82 inch
Colorway: Colorway 1

Stitches: 1630
Colors: 4
Height: 46.6 mm
Width: 76.6 mm
Zoom: 1:1

Machine: Tajima
Color changes: 3
Stops: 4
Trims: 4
Left: 38.3 mm
Right: 38.3 mm
Up: 23.3 mm
Down: 23.3 mm
EndX: 0.0 mm
EndY: 0.0 mm
Max Stitch: 6.0 mm
Min Stitch: 0.4 mm
Max Jump: 6.0 mm
Total Bobbin: 4.62m

Stop Sequence:

#	N#	St.	Description	Code	Brand
1.	1	122	Blue	1	Wilcom
2.	2	119	Cyan	2	Wilcom
3.	3	236	Green	3	Wilcom
4.	4	1151	Yellow	4	Wilcom



Color Film

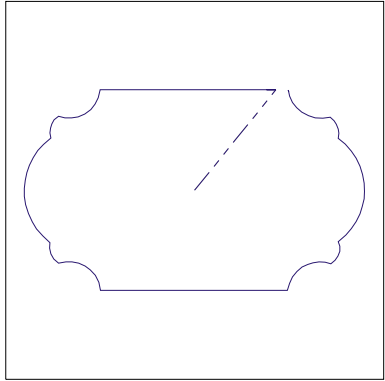
Wilcom EmbroideryStudio – Level 3 Advanced



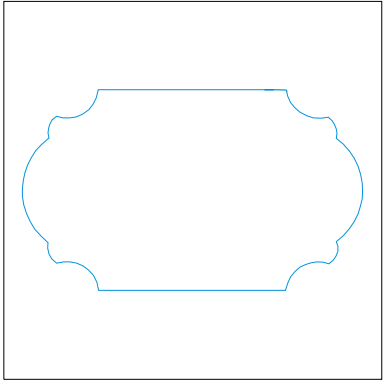
Design: 3.00 x 1.82 inch

Colorway: Colorway 1

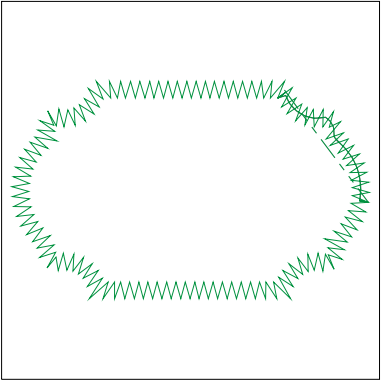
Stitches: 1630
Colors: 4
Height: 46.6 mm
Width: 76.6 mm
Zoom: 0.62



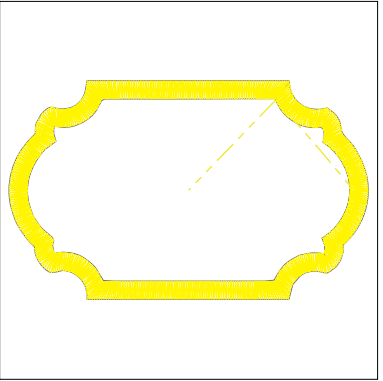
#: 1
Color: Blue
Code: 1
Brand: Wilcom
Stitches: 122
Thread Used: 0.53m



#: 2
Color: Cyan
Code: 2
Brand: Wilcom
Stitches: 119
Thread Used: 0.52m



#: 3
Color: Green
Code: 3
Brand: Wilcom
Stitches: 236
Thread Used: 1.59m



#: 4
Color: Yellow
Code: 4
Brand: Wilcom
Stitches: 1151
Thread Used: 8.42m

Production Summary

Wilcom EmbroideryStudio – Level 3 Advanced



Stitches: 1630
 Colors: 4
 Height: 46.6 mm
 Width: 76.6 mm

Design: 3.00 x 1.82 inch



Machine: Tajima
 Color changes: 3
 Stops: 4
 Trims: 4
 Max Stitch: 6.0 mm
 Min Stitch: 0.4 mm
 Max Jump: 6.0 mm

Left: 38.3 mm
 Right: 38.3 mm
 Up: 23.3 mm
 Down: 23.3 mm
 EndX: 0.0 mm
 EndY: 0.0 mm
 Total Bobbin: 4.62m

Colorway			Colorway 1
Background			
Stop	Color	Stitches	
1	1	122	1 Blue Wilcom
2	2	119	2 Cyan Wilcom
3	3	236	3 Green Wilcom
4	4	1151	4 Yellow Wilcom

Approval Sheet

Wilcom EmbroideryStudio – Level 3 Advanced



Design: 4.00 x 2.43 inch

Colorway: Colorway 1

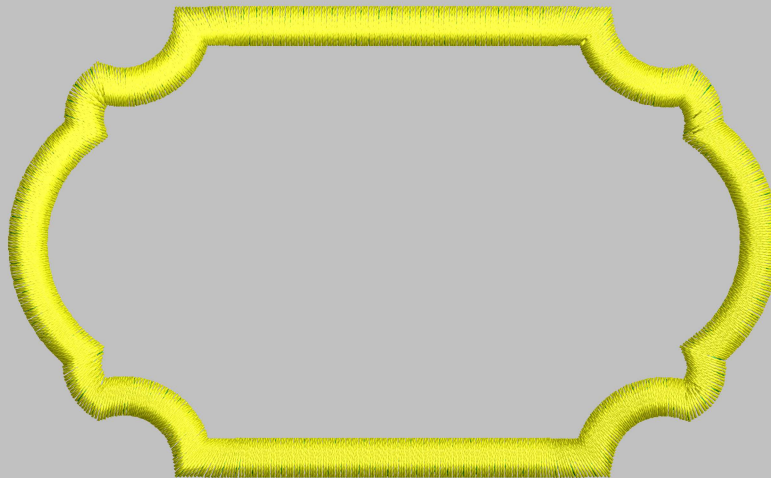
Stitches: 2251

Colors: 4

Height: 62.2 mm

Width: 102.0 mm

Zoom: 1:1



Production Worksheet

Wilcom EmbroideryStudio – Level 3 Advanced



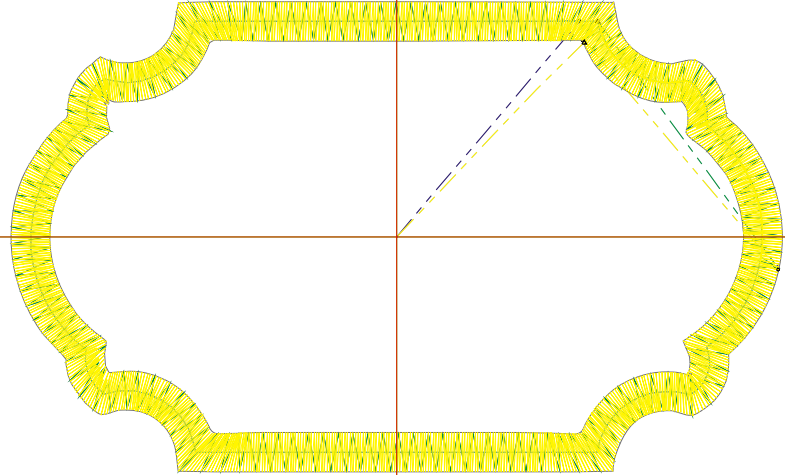
Design: 4.00 x 2.43 inch
Colorway: Colorway 1

Stitches: 2251
Colors: 4
Height: 62.2 mm
Width: 102.0 mm
Zoom: 1:1

Machine: Tajima
Color changes: 3
Stops: 4
Trims: 4
Left: 51.0 mm
Right: 51.0 mm
Up: 31.1 mm
Down: 31.1 mm
EndX: 0.0 mm
EndY: 0.0 mm
Max Stitch: 6.5 mm
Min Stitch: 0.5 mm
Max Jump: 6.6 mm
Total Bobbin: 8.38m

Stop Sequence:

#	N#	St.	Description	Code	Brand
1.	1	148	Blue	1	Wilcom
2.	2	144	Cyan	2	Wilcom
3.	3	313	Green	3	Wilcom
4.	4	1644	Yellow	4	Wilcom



Color Film

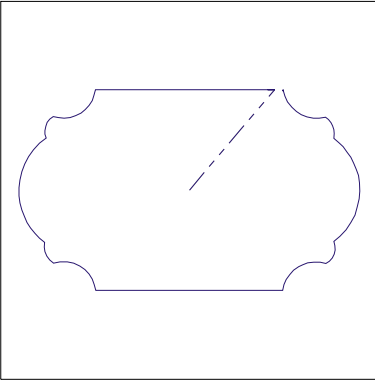
Wilcom EmbroideryStudio – Level 3 Advanced



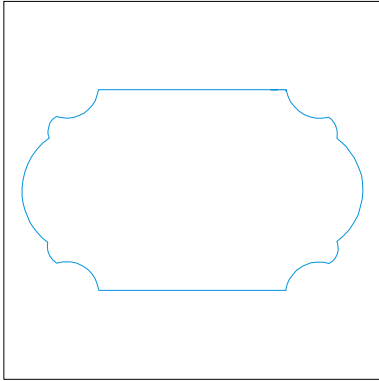
Design: 4.00 x 2.43 inch

Colorway: Colorway 1

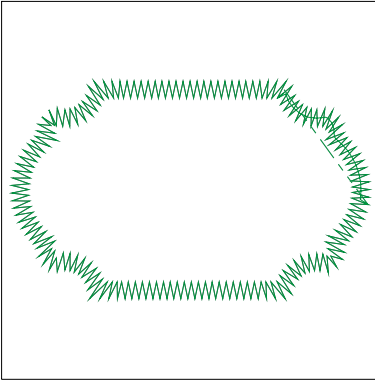
Stitches: 2251
Colors: 4
Height: 62.2 mm
Width: 102.0 mm
Zoom: 0.47



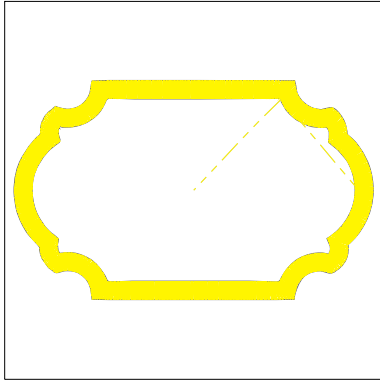
#: 1
Color: Blue
Code: 1
Brand: Wilcom
Stitches: 148
Thread Used: 0.67m



#: 2
Color: Cyan
Code: 2
Brand: Wilcom
Stitches: 144
Thread Used: 0.66m



#: 3
Color: Green
Code: 3
Brand: Wilcom
Stitches: 313
Thread Used: 2.56m



#: 4
Color: Yellow
Code: 4
Brand: Wilcom
Stitches: 1644
Thread Used: 14.75m

Production Summary

Wilcom EmbroideryStudio – Level 3 Advanced



Stitches: 2251
 Colors: 4
 Height: 62.2 mm
 Width: 102.0 mm

Design: 4.00 x 2.43 inch



Machine: Tajima
 Color changes: 3
 Stops: 4
 Trims: 4
 Max Stitch: 6.5 mm
 Min Stitch: 0.5 mm
 Max Jump: 6.6 mm

Left: 51.0 mm
 Right: 51.0 mm
 Up: 31.1 mm
 Down: 31.1 mm
 EndX: 0.0 mm
 EndY: 0.0 mm
 Total Bobbin: 8.38m

Colorway			Colorway 1
Background			
Stop	Color	Stitches	
1	1	148	1 Blue Wilcom
2	2	144	2 Cyan Wilcom
3	3	313	3 Green Wilcom
4	4	1644	4 Yellow Wilcom

Approval Sheet

Wilcom EmbroideryStudio – Level 3 Advanced



Design: 5.00 x 3.00 inch

Colorway: Colorway 1

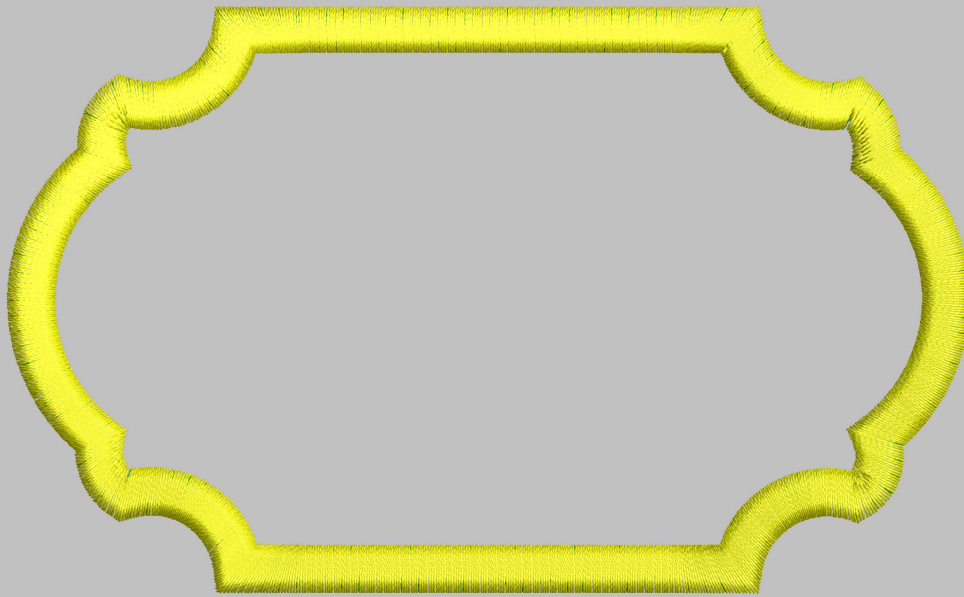
Stitches: 2887

Colors: 4

Height: 77.6 mm

Width: 127.4 mm

Zoom: 1:1



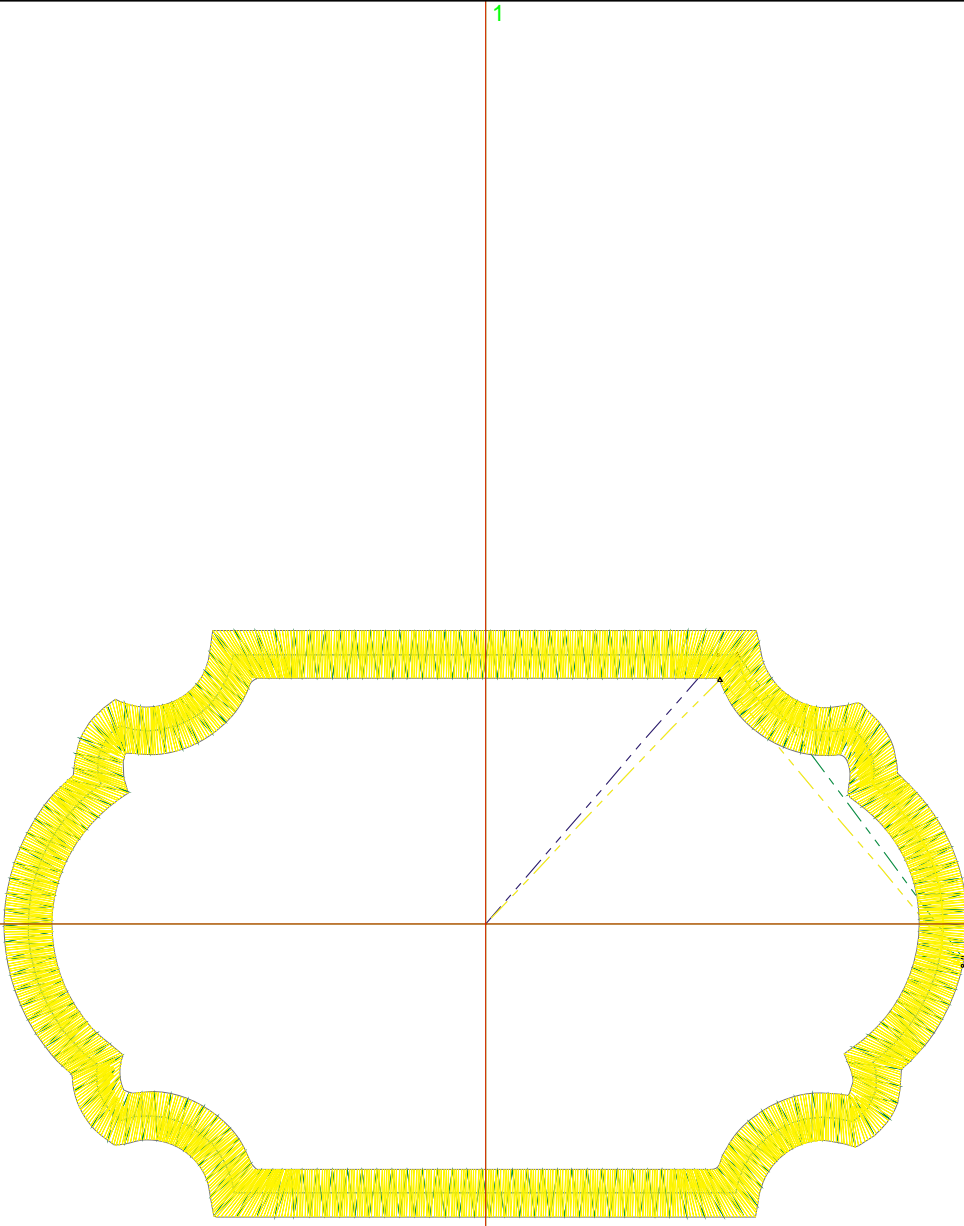
Production Worksheet

Wilcom EmbroideryStudio – Level 3 Advanced



Design: 5.00 x 3.00 inch
Colorway: Colorway 1

Stitches: 2887
Colors: 4
Height: 77.6 mm
Width: 127.4 mm
Zoom: 1:1



Machine: Tajima
Color changes: 3
Stops: 4
Trims: 4
Left: 63.7 mm
Right: 63.7 mm
Up: 38.8 mm
Down: 38.8 mm
EndX: 0.0 mm
EndY: 0.0 mm
Max Stitch: 7.7 mm
Min Stitch: 0.4 mm
Max Jump: 6.7 mm
Total Bobbin: 13.26m

Stop Sequence:

#	N#	St.	Description	Code	Brand
1.	1	174	Blue	1	Wilcom
2.	2	169	Cyan	2	Wilcom
3.	3	387	Green	3	Wilcom
4.	4	2155	Yellow	4	Wilcom

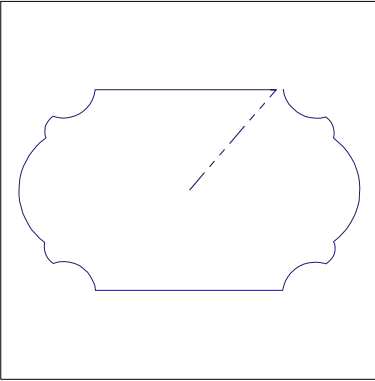
Color Film

Wilcom EmbroideryStudio – Level 3 Advanced

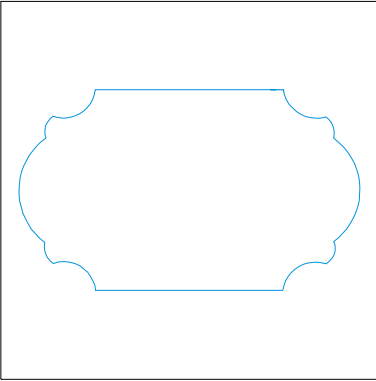


Design: 5.00 x 3.00 inch
Colorway: Colorway 1

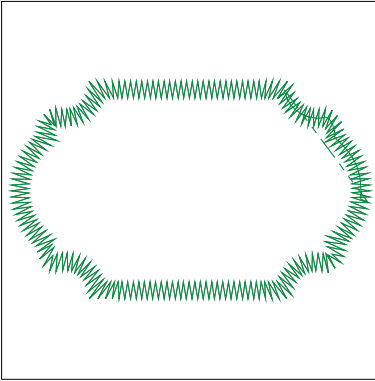
Stitches: 2887
Colors: 4
Height: 77.6 mm
Width: 127.4 mm
Zoom: 0.37



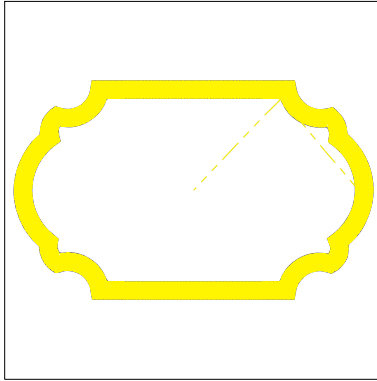
#: 1
Color: Blue
Code: 1
Brand: Wilcom
Stitches: 174
Thread Used: 0.82m



#: 2
Color: Cyan
Code: 2
Brand: Wilcom
Stitches: 169
Thread Used: 0.80m



#: 3
Color: Green
Code: 3
Brand: Wilcom
Stitches: 387
Thread Used: 3.76m



#: 4
Color: Yellow
Code: 4
Brand: Wilcom
Stitches: 2155
Thread Used: 22.78m

Production Summary

Wilcom EmbroideryStudio – Level 3 Advanced



Stitches: 2887
 Colors: 4
 Height: 77.6 mm
 Width: 127.4 mm

Design: 5.00 x 3.00 inch



Machine: Tajima
 Color changes: 3
 Stops: 4
 Trims: 4
 Max Stitch: 7.7 mm
 Min Stitch: 0.4 mm
 Max Jump: 6.7 mm

Left: 63.7 mm
 Right: 63.7 mm
 Up: 38.8 mm
 Down: 38.8 mm
 EndX: 0.0 mm
 EndY: 0.0 mm
 Total Bobbin: 13.26m

Colorway			Colorway 1
Background			
Stop	Color	Stitches	
1	1	174	1 Blue Wilcom
2	2	169	2 Cyan Wilcom
3	3	387	3 Green Wilcom
4	4	2155	4 Yellow Wilcom

Approval Sheet

Wilcom EmbroideryStudio – Level 3 Advanced



Design: 6.00 x 3.64 inch

Colorway: Colorway 1

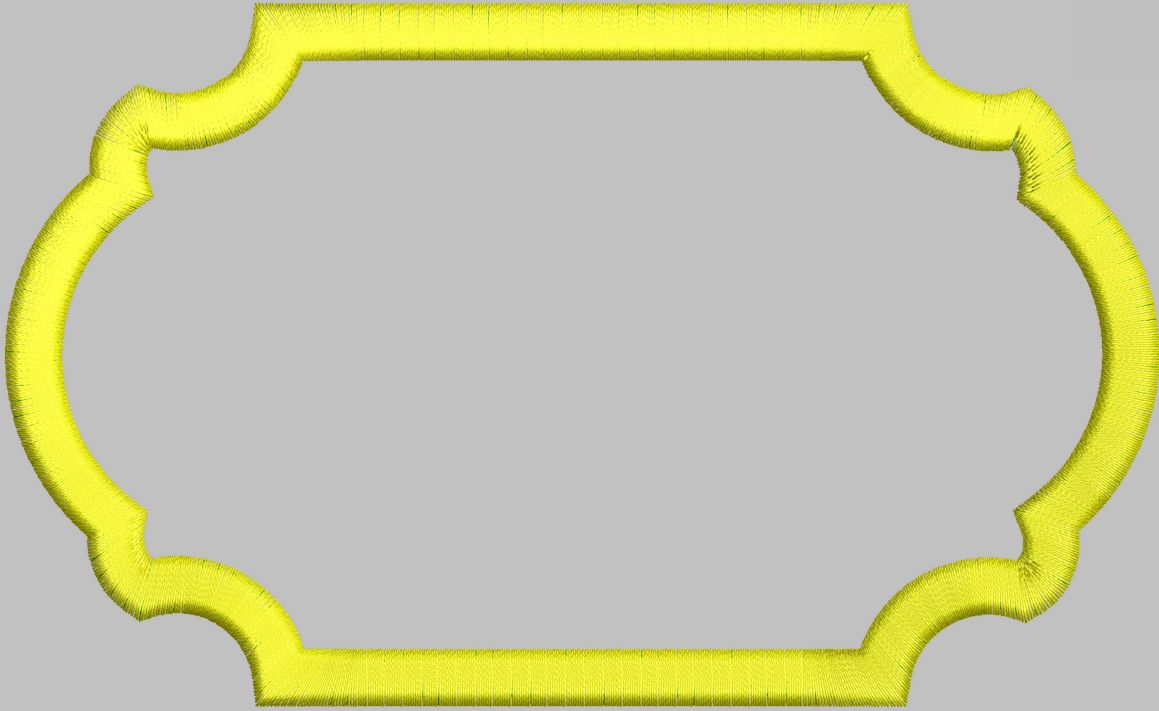
Stitches: 3546

Colors: 4

Height: 93.0 mm

Width: 152.8 mm

Zoom: 1:1



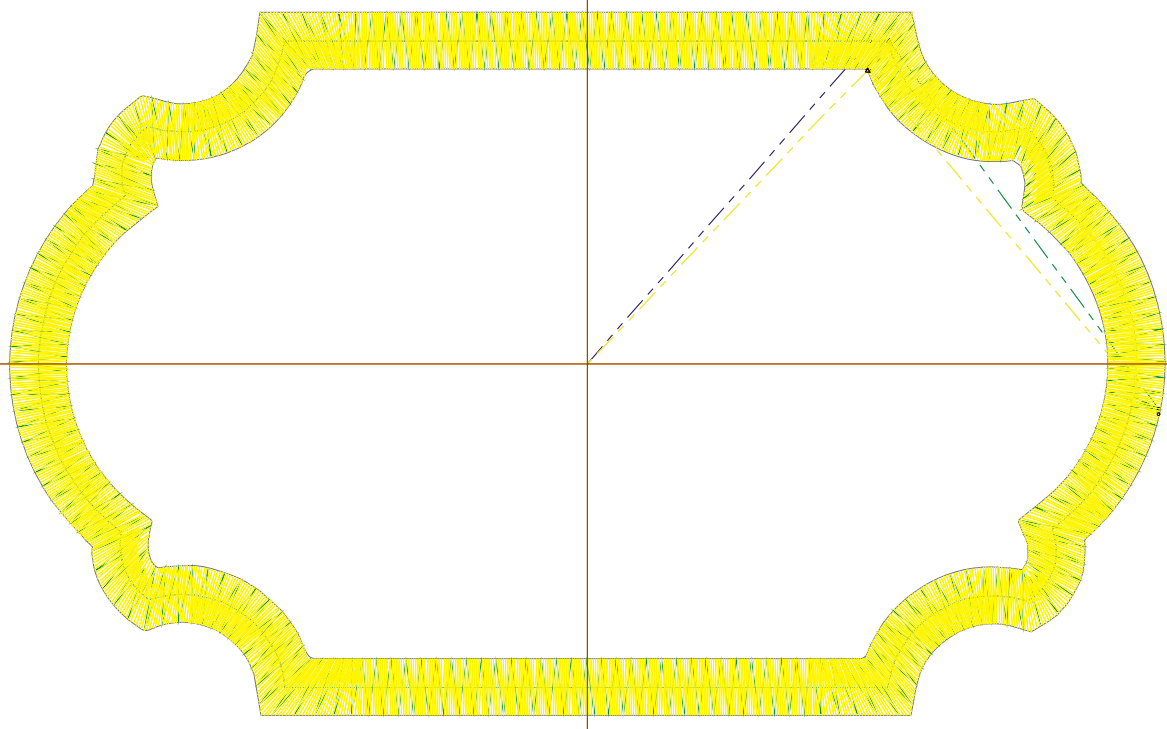
Production Worksheet

Wilcom EmbroideryStudio – Level 3 Advanced



Design: 6.00 x 3.64 inch
Colorway: Colorway 1

Stitches: 3546
Colors: 4
Height: 93.0 mm
Width: 152.8 mm
Zoom: 1:1



Production Worksheet

Wilcom EmbroideryStudio – Level 3 Advanced



Stitches: 3546
Colors: 4
Height: 93.0 mm
Width: 152.8 mm
Zoom: 1:1

Design: 6.00 x 3.64 inch
Colorway: Colorway 1

Machine: Tajima
Color changes: 3
Stops: 4
Trims: 4
Left: 76.4 mm
Right: 76.4 mm
Up: 46.5 mm
Down: 46.5 mm
EndX: 0.0 mm
EndY: 0.0 mm
Max Stitch: 9.3 mm
Min Stitch: 0.5 mm
Max Jump: 7.0 mm
Total Bobbin: 19.38m

Stop Sequence:

#	N#	St.	Description	Code	Brand
1.	1	202	Blue	1	Wilcom
2.	2	196	Cyan	2	Wilcom
3.	3	462	Green	3	Wilcom
4.	4	2684	Yellow	4	Wilcom

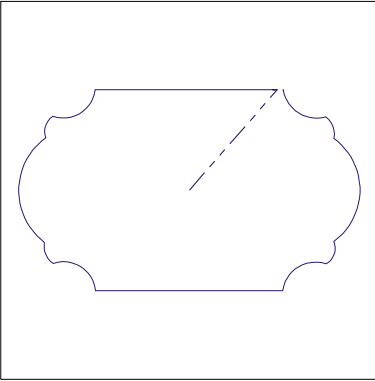
Color Film

Wilcom EmbroideryStudio – Level 3 Advanced

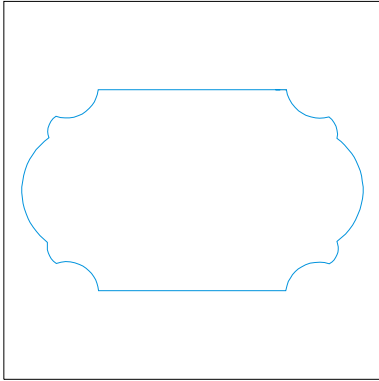


Design: 6.00 x 3.64 inch
Colorway: Colorway 1

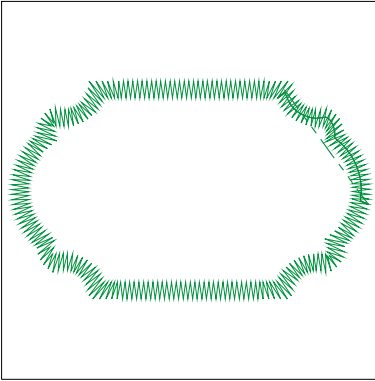
Stitches: 3546
Colors: 4
Height: 93.0 mm
Width: 152.8 mm
Zoom: 0.31



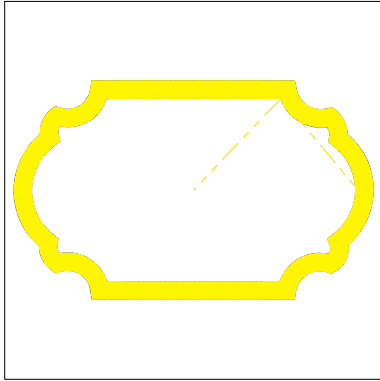
#: 1
Color: Blue
Code: 1
Brand: Wilcom
Stitches: 202
Thread Used: 0.96m



#: 2
Color: Cyan
Code: 2
Brand: Wilcom
Stitches: 196
Thread Used: 0.94m



#: 3
Color: Green
Code: 3
Brand: Wilcom
Stitches: 462
Thread Used: 5.17m



#: 4
Color: Yellow
Code: 4
Brand: Wilcom
Stitches: 2684
Thread Used: 32.72m

Production Summary

Wilcom EmbroideryStudio – Level 3 Advanced



Stitches: 3546
 Colors: 4
 Height: 93.0 mm
 Width: 152.8 mm

Design: 6.00 x 3.64 inch



Machine: Tajima
 Color changes: 3
 Stops: 4
 Trims: 4
 Max Stitch: 9.3 mm
 Min Stitch: 0.5 mm
 Max Jump: 7.0 mm

Left: 76.4 mm
 Right: 76.4 mm
 Up: 46.5 mm
 Down: 46.5 mm
 EndX: 0.0 mm
 EndY: 0.0 mm
 Total Bobbin: 19.38m

Colorway			Colorway 1
Background			
Stop	Color	Stitches	
1	1	202	1 Blue Wilcom
2	2	196	2 Cyan Wilcom
3	3	462	3 Green Wilcom
4	4	2684	4 Yellow Wilcom