



Creative Fabrica

**Embroidery Design
Sewing Information**

www.creativefabrica.com/embroidery/

© Creative Fabrica

Production Worksheet

Wilcom EmbroideryStudio - Designing

* 3 INCH *

Design: 3 inch

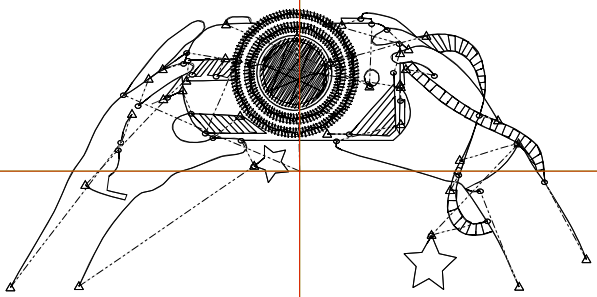
Title:

Stitches: 1,666
 Height: 1.46 in
 Width: 3.00 in
 Colors: 1
 Colorway: Colorway 1
 Zoom: 1:1

Machine format: Tajima
 Color changes: 0
 Stops: 1
 Trims: 34
 Appliqués: 0
 Left: 38.2 mm
 Right: 38.0 mm
 Up: 21.5 mm
 Down: 15.7 mm
 EndX: 0.00 in
 EndY: 0.00 in
 Area: 4.39 in²
 Max stitch: 5.8 mm
 Min stitch: 0.4 mm
 Max jump: 5.8 mm
 Total thread: 21.34ft
 Total bobbin: 5.97ft

Stop Sequence:

#	N#	Color	St.	Code	Name	Chart
1.	8	█	1,664		R0 G0 B0	



Production Worksheet

Wilcom EmbroideryStudio - Designing

* 4 INCH *

Design: 4 inch

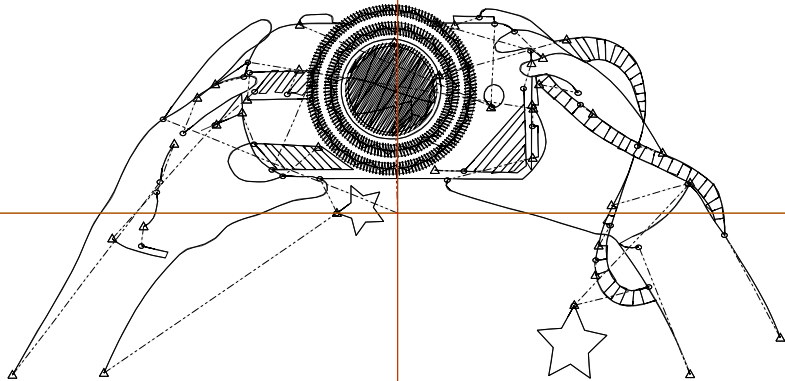
Title:

Stitches: 2,136
 Height: 1.95 in
 Width: 4.00 in
 Colors: 1
 Colorway: Colorway 1
 Zoom: 1:1

Machine format: Tajima
 Color changes: 0
 Stops: 1
 Trims: 38
 Appliqués: 0
 Left: 50.9 mm
 Right: 50.7 mm
 Up: 27.6 mm
 Down: 21.9 mm
 EndX: 0.00 in
 EndY: 0.00 in
 Area: 7.80 in²
 Max stitch: 6.4 mm
 Min stitch: 0.1 mm
 Max jump: 6.4 mm
 Total thread: 29.46ft
 Total bobbin: 8.96ft

Stop Sequence:

#	N#	Color	St.	Code	Name	Chart
1.	8	█	2,134		R0 G0 B0	



Production Worksheet

Wilcom EmbroideryStudio - Designing

5 INCH

Design: 5 inch

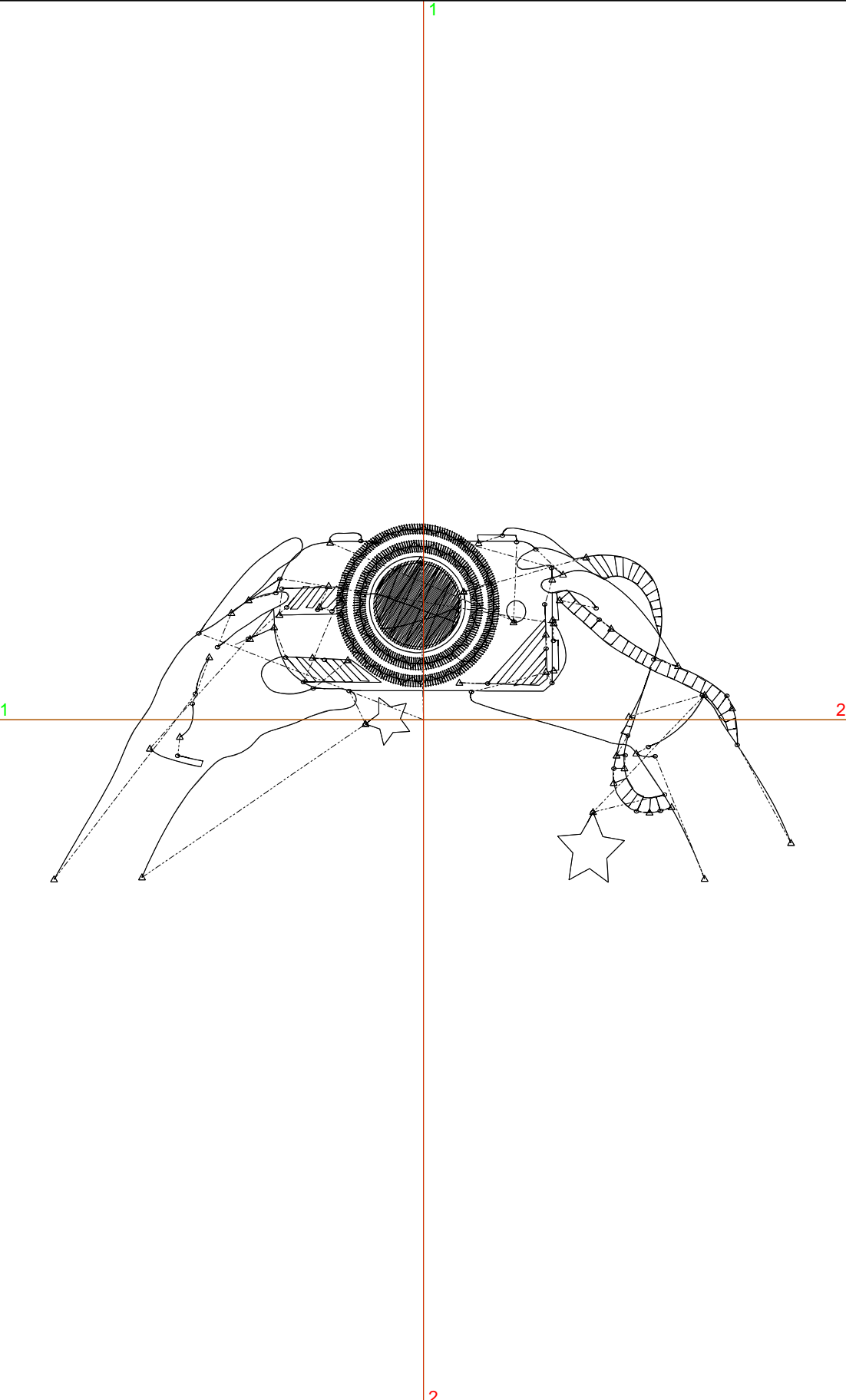
Title:

Stitches: 2,626
 Height: 2.43 in
 Width: 5.00 in
 Colors: 1
 Colorway: Colorway 1
 Zoom: 1:1

Machine format: Tajima
 Color changes: 0
 Stops: 1
 Trims: 48
 Appliqués: 0
 Left: 63.6 mm
 Right: 63.4 mm
 Up: 33.8 mm
 Down: 28.1 mm
 EndX: 0.00 in
 EndY: 0.00 in
 Area: 12.17 in²
 Max stitch: 6.7 mm
 Min stitch: 0.4 mm
 Max jump: 6.9 mm
 Total thread: 38.43ft
 Total bobbin: 12.37ft

Stop Sequence:

#	N#	Color	St.	Code	Name	Chart
1.	8	█	2,624		R0 G0 B0	



Production Worksheet

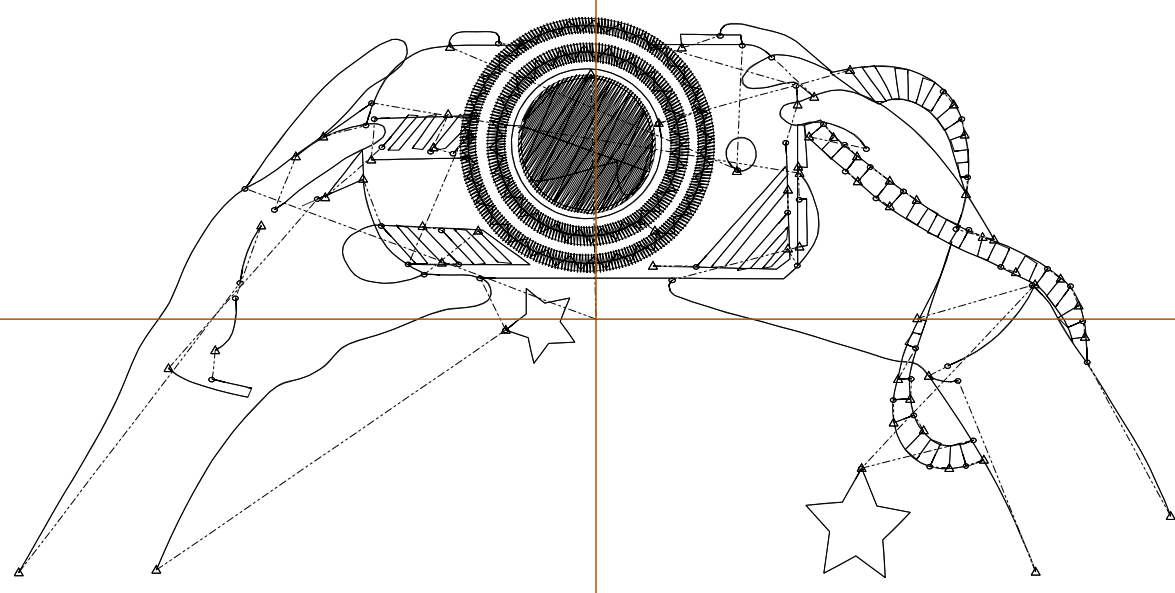
Wilcom EmbroideryStudio - Designing

6 INCH

Design: **6 inch**

Title:

Stitches: 3,182
Height: 2.92 in
Width: 6.00 in
Colors: 1
Colorway: Colorway 1
Zoom: 1:1



Production Worksheet

Wilcom EmbroideryStudio - Designing

6 INCH

Design: **6 inch**

Title:

Stitches: 3,182
 Height: 2.92 in
 Width: 6.00 in
 Colors: 1
 Colorway: Colorway 1
 Zoom: 1:1

Machine format: Tajima
 Color changes: 0
 Stops: 1
 Trims: 63
 Appliqués: 0
 Left: 76.3 mm
 Right: 76.1 mm
 Up: 40.0 mm
 Down: 34.2 mm
 EndX: 0.00 in
 EndY: 0.00 in
 Area 17.52 in²
 Max stitch: 6.6 mm
 Min stitch: 0.4 mm
 Max jump: 6.6 mm
 Total thread: 48.78ft
 Total bobbin: 16.34ft

Stop Sequence:

#	N#	Color	St.	Code	Name	Chart
1.	8	█	3,180		R0 G0 B0	

Production Worksheet

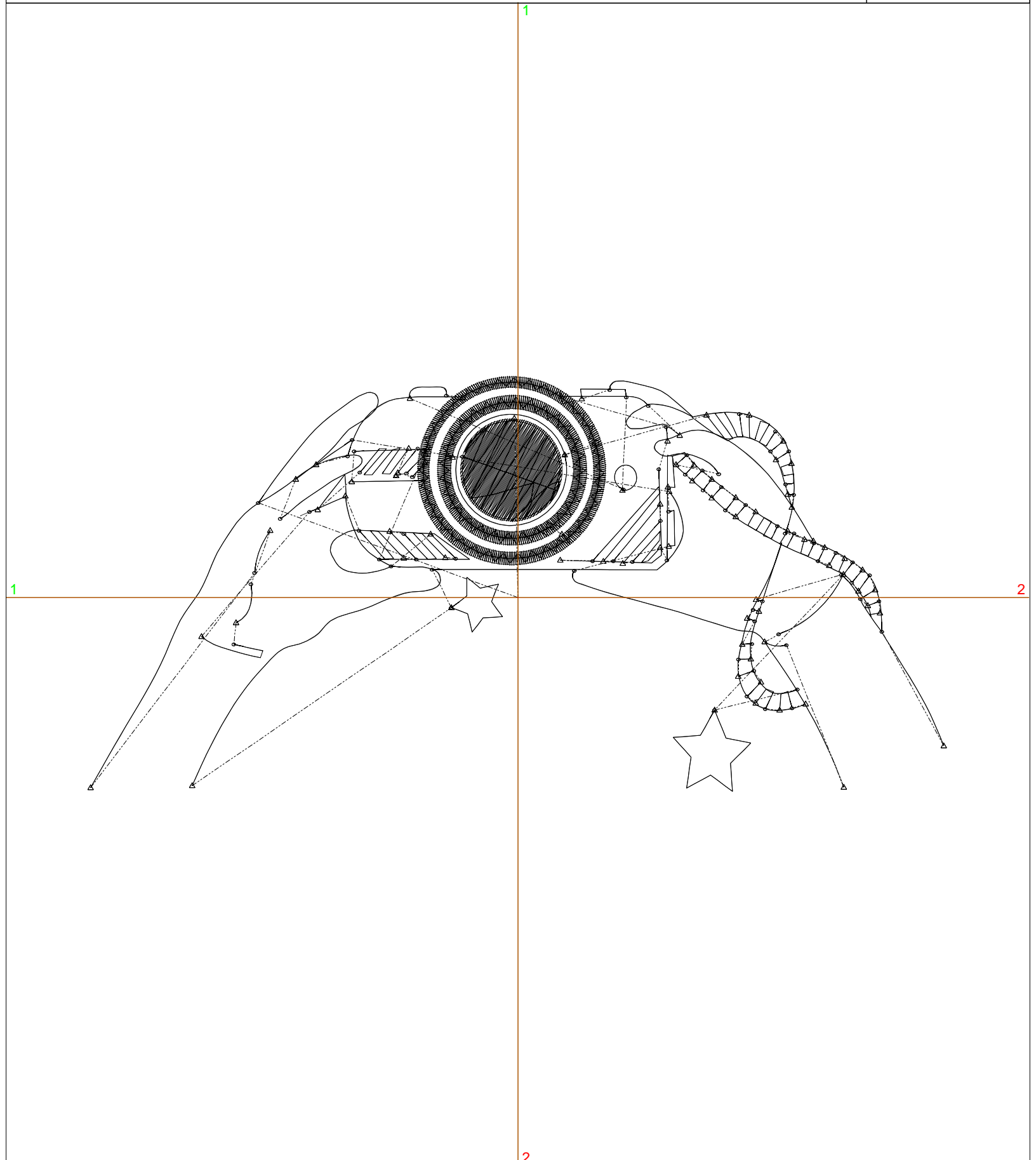
Wilcom EmbroideryStudio - Designing

7 INCH

Design: **7 inch**

Title:

Stitches: 3,777
Height: 3.41 in
Width: 7.00 in
Colors: 1
Colorway: Colorway 1
Zoom: 1:1



Production Worksheet

Wilcom EmbroideryStudio - Designing

7 INCH

Design: **7 inch**

Title:

Stitches: 3,777
 Height: 3.41 in
 Width: 7.00 in
 Colors: 1
 Colorway: Colorway 1
 Zoom: 1:1

Machine format: Tajima
 Color changes: 0
 Stops: 1
 Trims: 81
 Appliqués: 0
 Left: 89.0 mm
 Right: 88.8 mm
 Up: 46.1 mm
 Down: 40.4 mm
 EndX: 0.00 in
 EndY: 0.00 in
 Area 23.84 in²
 Max stitch: 6.8 mm
 Min stitch: 0.2 mm
 Max jump: 6.8 mm
 Total thread: 60.59ft
 Total bobbin: 21.02ft

Stop Sequence:

#	N#	Color	St.	Code	Name	Chart
1.	8	██████	3,775		R0 G0 B0	