



Creative Fabrica

**Embroidery Design
Sewing Information**

www.creativefabrica.com/embroidery/

© Creative Fabrica

Production Worksheet

Wilcom EmbroideryStudio - Designing

*** 3 INCH ***

Design: **3 inch**

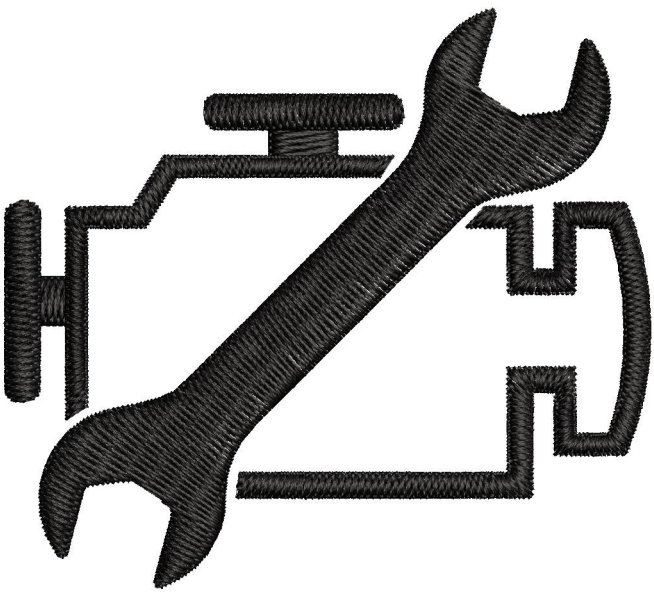
Title:

Stitches: 5,455
 Height: 3.00 in
 Width: 3.36 in
 Colors: 1
 Colorway: Colorway 1
 Zoom: 1:1

Machine format: Tajima
 Color changes: 0
 Stops: 1
 Trims: 6
 Appliqués: 0
 Left: 35.4 mm
 Right: 50.0 mm
 Up: 19.4 mm
 Down: 56.9 mm
 EndX: 1.62 in
 EndY: 0.60 in
 Area: 10.11 in²
 Max stitch: 7.0 mm
 Min stitch: 0.1 mm
 Max jump: 7.0 mm
 Total thread: 97.54ft
 Total bobbin: 36.40ft

Stop Sequence:

#	N#	Color	St.	Code	Name	Chart
1.	8	█	5,453	8	Black	Default



Color Film

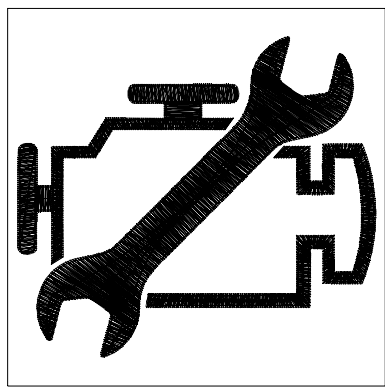
Wilcom EmbroideryStudio - Designing

3 INCH

Design: 3 inch

Title:

Stitches: 5,455
Height: 3.00 in
Width: 3.36 in
Colors: 1
Colorway: Colorway 1
Zoom: 0.56



Stop #: 1
Element:
Code: 8
Name: Black
Chart: Default
Stitches: 5,453
Thread used: 97.21ft

Production Worksheet

Wilcom EmbroideryStudio - Designing

*** 4 INCH ***

Design: **4 inch**

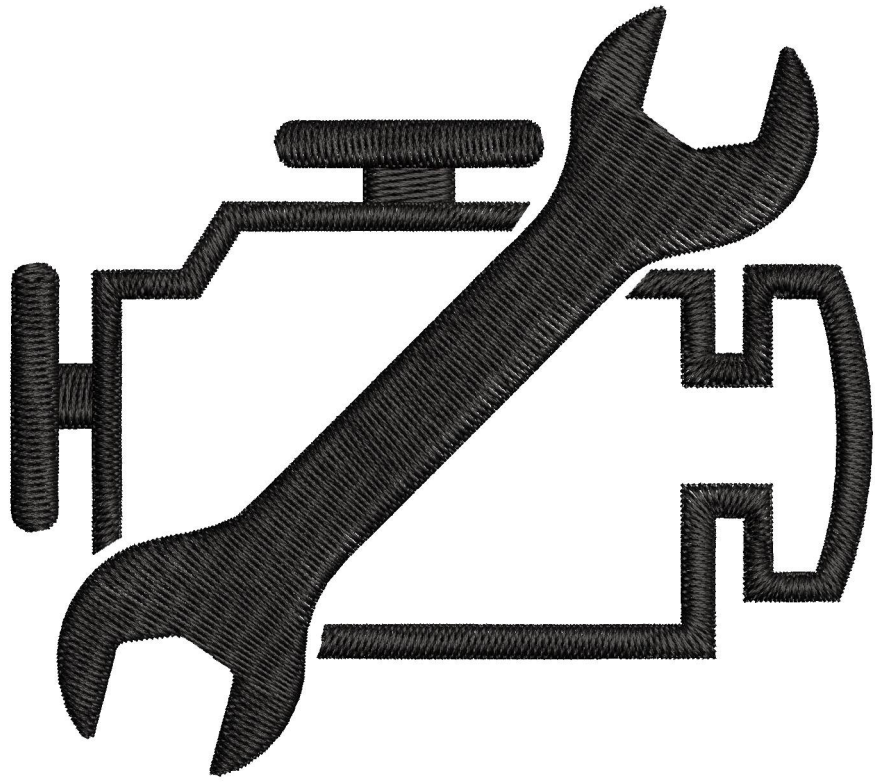
Title:

Stitches: 7,686
 Height: 4.00 in
 Width: 4.48 in
 Colors: 1
 Colorway: Colorway 1
 Zoom: 1:1

Machine format: Tajima
 Color changes: 0
 Stops: 1
 Trims: 6
 Appliqués: 0
 Left: 47.1 mm
 Right: 66.7 mm
 Up: 26.0 mm
 Down: 75.7 mm
 EndX: 2.17 in
 EndY: 0.80 in
 Area: 17.94 in²
 Max stitch: 7.0 mm
 Min stitch: 0.1 mm
 Max jump: 7.0 mm
 Total thread: 154.06ft
 Total bobbin: 61.21ft

Stop Sequence:

#	N#	Color	St.	Code	Name	Chart
1.	8	█	7,684	8	Black	Default



Color Film

Wilcom EmbroideryStudio - Designing

*** 4 INCH ***

Design: **4 inch**

Title:

Stitches: 7,686
Height: 4.00 in
Width: 4.48 in
Colors: 1
Colorway: Colorway 1
Zoom: 0.42



Stop #: 1
Element:
Code: 8
Name: Black
Chart: Default
Stitches: 7,684
Thread used: 153.72ft

Production Worksheet

Wilcom EmbroideryStudio - Designing

5 INCH

Design: 5 inch

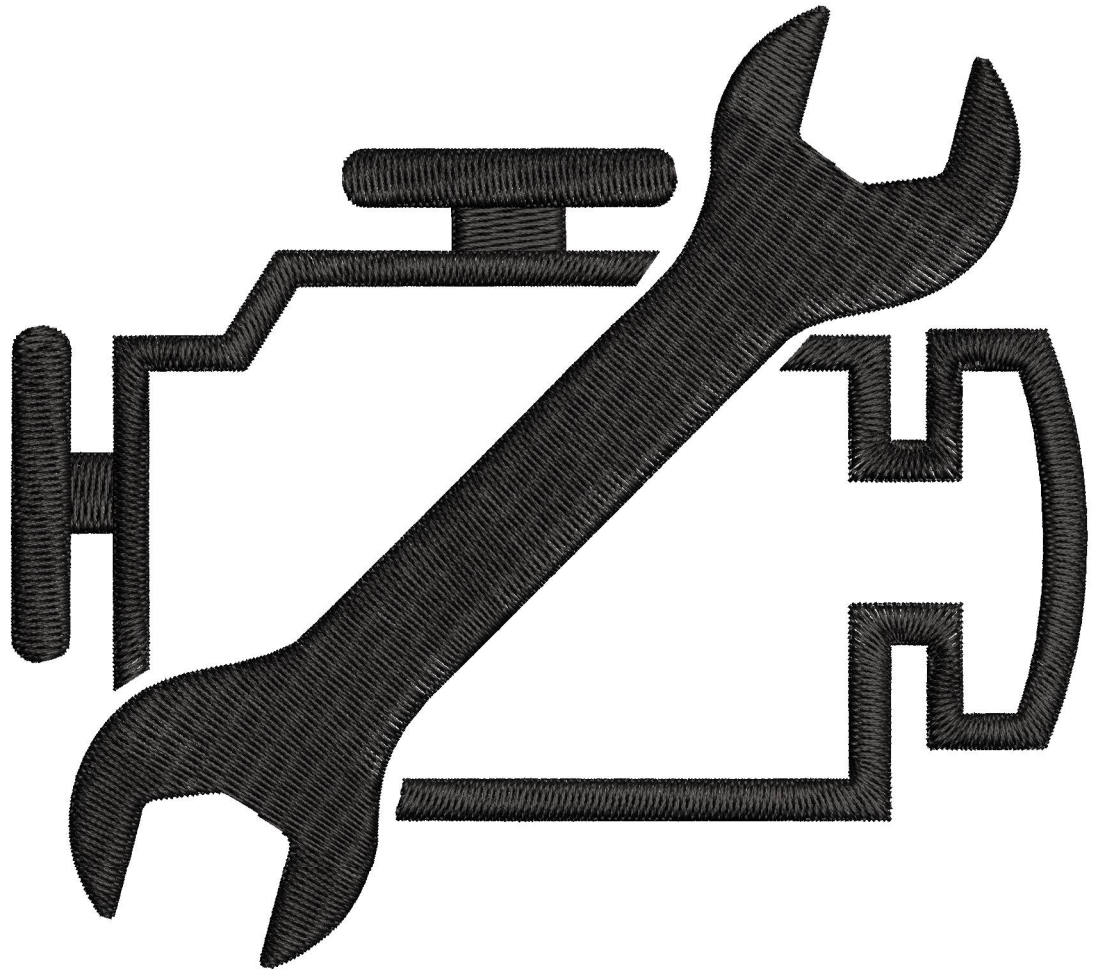
Title:

Stitches: 10,228
 Height: 5.00 in
 Width: 5.60 in
 Colors: 1
 Colorway: Colorway 1
 Zoom: 1:1

Machine format: Tajima
 Color changes: 0
 Stops: 1
 Trims: 6
 Appliqués: 0
 Left: 58.7 mm
 Right: 83.5 mm
 Up: 32.5 mm
 Down: 94.6 mm
 EndX: 2.71 in
 EndY: 1.01 in
 Area: 28.02 in²
 Max stitch: 7.0 mm
 Min stitch: 0.1 mm
 Max jump: 7.0 mm
 Total thread: 222.90ft
 Total bobbin: 92.12ft

Stop Sequence:

#	N#	Color	St.	Code	Name	Chart
1.	8	█	10,226	8	Black	Default



Color Film

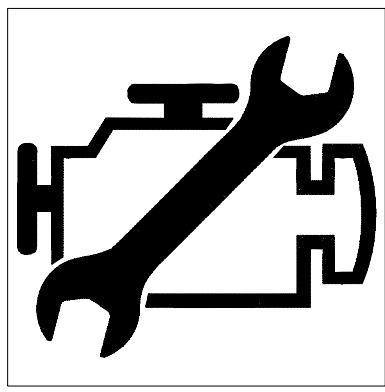
Wilcom EmbroideryStudio - Designing

5 INCH

Design: **5 inch**

Title:

Stitches: 10,228
Height: 5.00 in
Width: 5.60 in
Colors: 1
Colorway: Colorway 1
Zoom: 0.33



Stop #: 1
Element:
Code: 8
Name: Black
Chart: Default
Stitches: 10,226
Thread used: 222.56ft

Production Worksheet

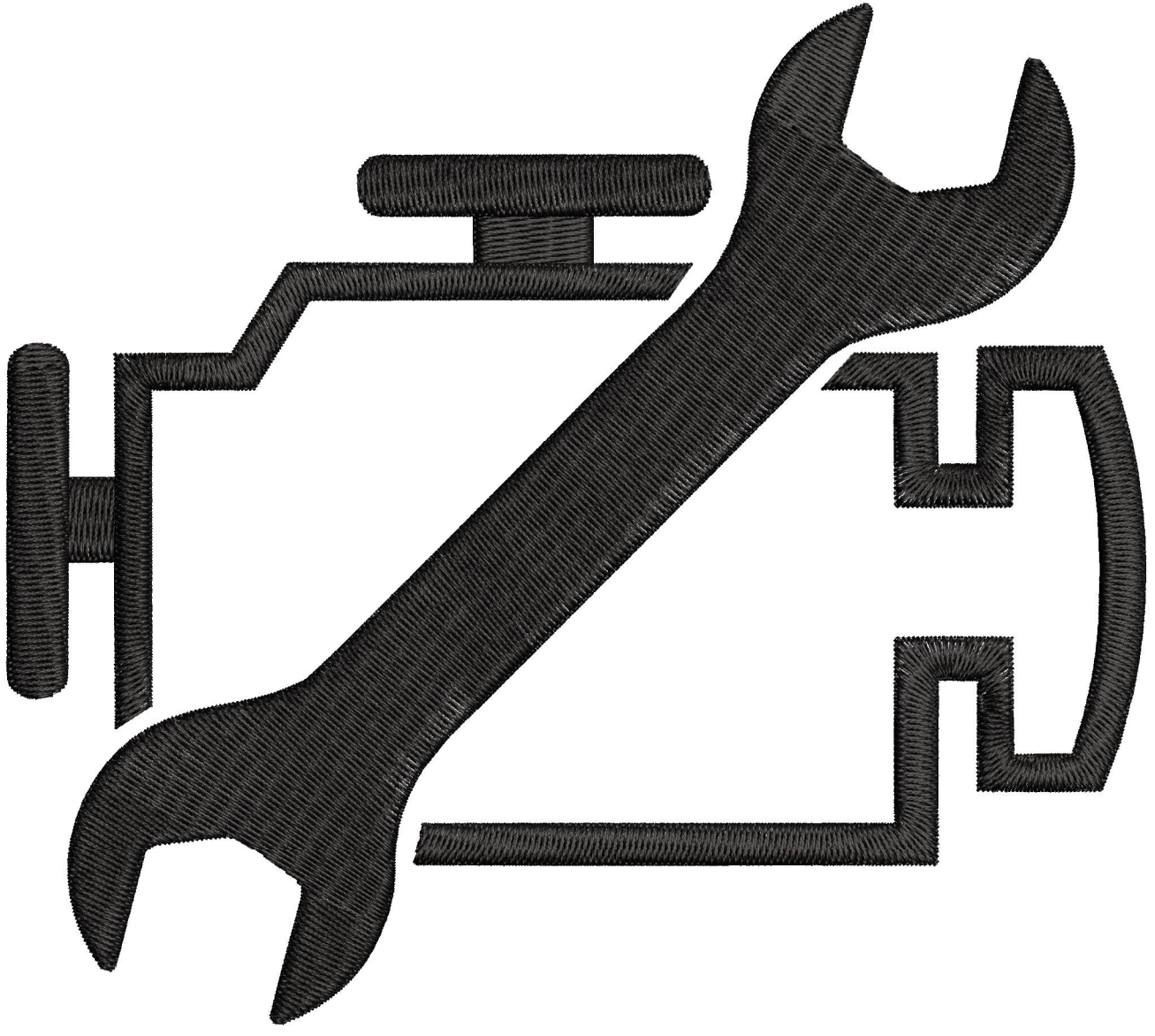
Wilcom EmbroideryStudio - Designing

6 INCH

Design: **6 inch**

Title:

Stitches: 13,309
Height: 6.00 in
Width: 6.72 in
Colors: 1
Colorway: Colorway 1
Zoom: 1:1



Production Worksheet

Wilcom EmbroideryStudio - Designing

6 INCH

Design: **6 inch**

Title:

Stitches: 13,309
 Height: 6.00 in
 Width: 6.72 in
 Colors: 1
 Colorway: Colorway 1
 Zoom: 1:1

Machine format: Tajima
 Color changes: 0
 Stops: 1
 Trims: 6
 Appliqués: 0
 Left: 70.4 mm
 Right: 100.2 mm
 Up: 39.0 mm
 Down: 113.5 mm
 EndX: 3.25 in
 EndY: 1.21 in
 Area 40.32 in²
 Max stitch: 7.1 mm
 Min stitch: 0.2 mm
 Max jump: 7.0 mm
 Total thread: 306.92ft
 Total bobbin: 129.93ft

Stop Sequence:

#	N#	Color	St.	Code	Name	Chart
1.	8	█	13,307	8	Black	Default

Color Film

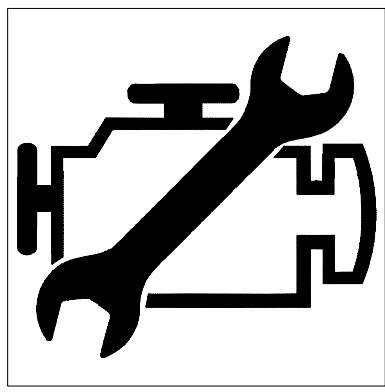
Wilcom EmbroideryStudio - Designing

6 INCH

Design: **6 inch**

Title:

Stitches: 13,309
Height: 6.00 in
Width: 6.72 in
Colors: 1
Colorway: Colorway 1
Zoom: 0.28



Stop #: 1
Element:
Code: 8
Name: Black
Chart: Default
Stitches: 13,307
Thread used: 306.58ft

Production Worksheet

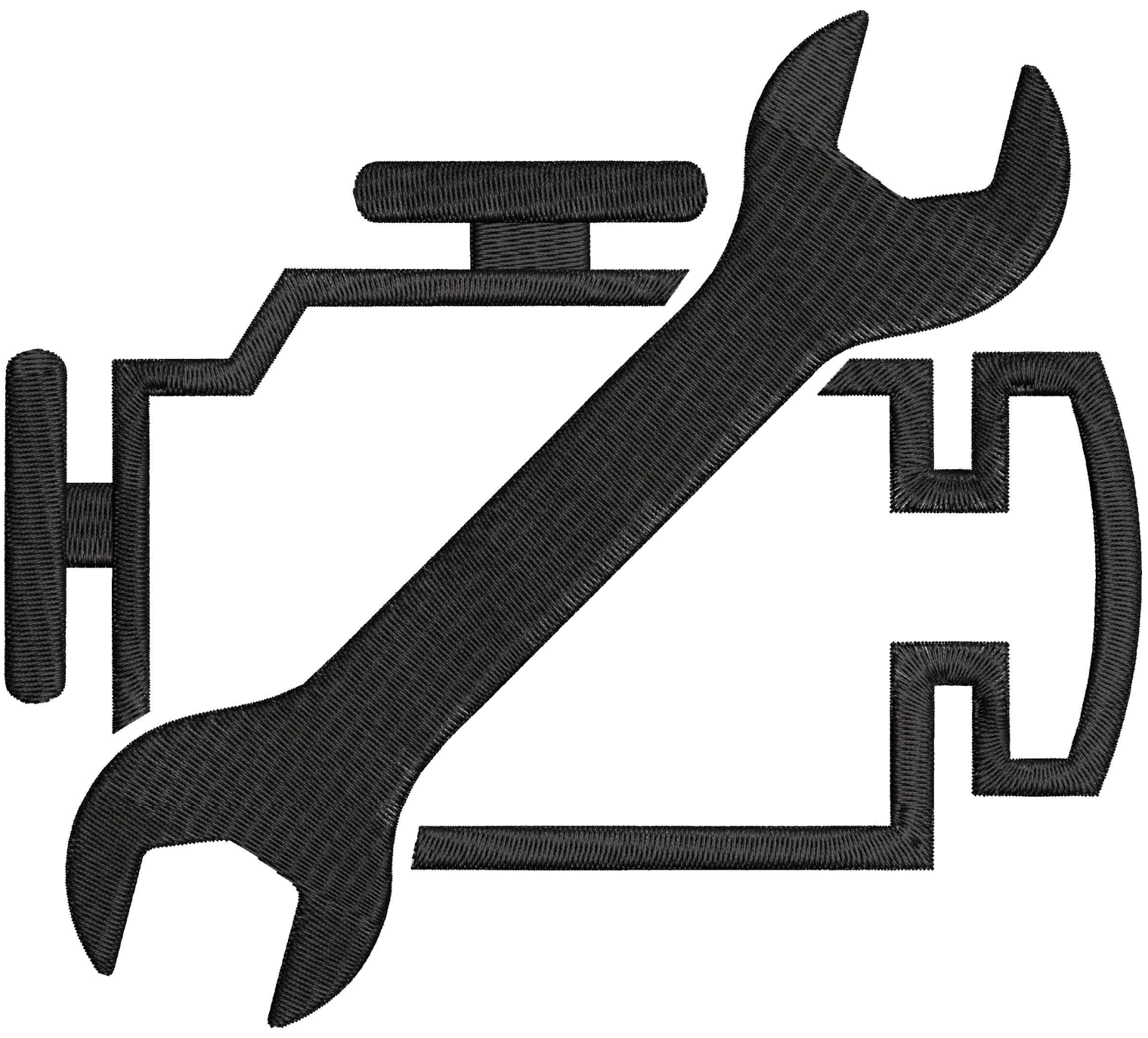
Wilcom EmbroideryStudio - Designing

7 INCH

Design: **7 inch**

Title:

Stitches: 16,607
Height: 7.00 in
Width: 7.83 in
Colors: 1
Colorway: Colorway 1
Zoom: 1:1



Production Worksheet

Wilcom EmbroideryStudio - Designing

7 INCH

Design: **7 inch**

Title:

Stitches: 16,607
 Height: 7.00 in
 Width: 7.83 in
 Colors: 1
 Colorway: Colorway 1
 Zoom: 1:1

Machine format: Tajima
 Color changes: 0
 Stops: 1
 Trims: 6
 Appliqués: 0
 Left: 82.0 mm
 Right: 116.9 mm
 Up: 45.5 mm
 Down: 132.3 mm
 EndX: 3.80 in
 EndY: 1.42 in
 Area 54.83 in²
 Max stitch: 7.1 mm
 Min stitch: 0.2 mm
 Max jump: 7.0 mm
 Total thread: 402.19ft
 Total bobbin: 173.56ft

Stop Sequence:

#	N#	Color	St.	Code	Name	Chart
1.	8	█	16,605	8	Black	Default

Color Film

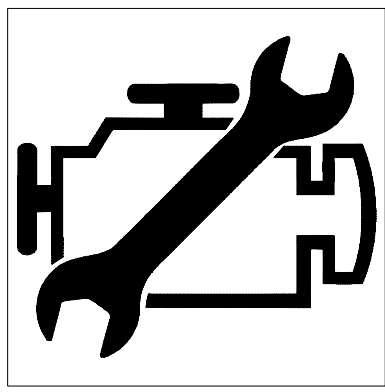
Wilcom EmbroideryStudio - Designing

7 INCH

Design: **7 inch**

Title:

Stitches: 16,607
Height: 7.00 in
Width: 7.83 in
Colors: 1
Colorway: Colorway 1
Zoom: 0.24



Stop #: 1
Element:
Code: 8
Name: Black
Chart: Default
Stitches: 16,605
Thread used: 401.85ft