



# **Creative Fabrica**

**Embroidery Design  
Sewing Information**

**[www.creativefabrica.com/embroidery/](http://www.creativefabrica.com/embroidery/)**

© Creative Fabrica

# Production Worksheet

Wilcom EmbroideryStudio - Designing



Design: **3**

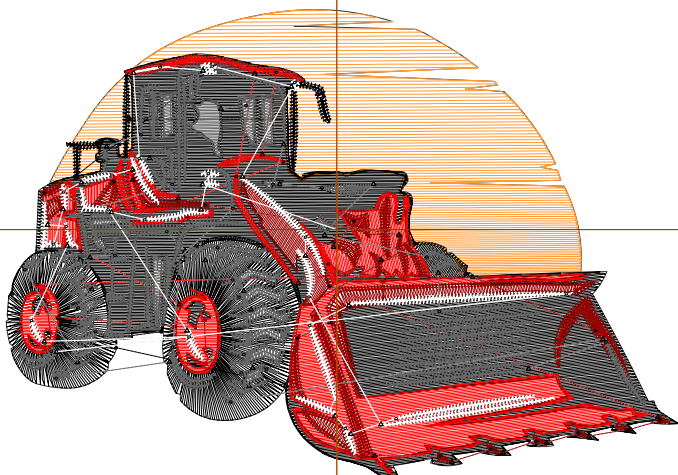
Title:

Stitches: 17,603  
 Height: 2.44 in  
 Width: 3.50 in  
 Colors: 6  
 Colorway: Colorway 1  
 Zoom: 1:1

Machine format: Tajima  
 Color changes: 5  
 Stops: 6  
 Trims: 81  
 Appliqués: 0  
 Left: 43.7 mm  
 Right: 45.2 mm  
 Up: 29.1 mm  
 Down: 32.8 mm  
 EndX: 0.00 in  
 EndY: 0.00 in  
 Area 8.53 in<sup>2</sup>  
 Max stitch: 6.9 mm  
 Min stitch: 0.0 mm  
 Max jump: 6.9 mm  
 Total thread: 234.37ft  
 Total bobbin: 69.27ft

Stop Sequence:

#	N#	Color	St.	Code	Name	Chart
1.	12		1,123	12	Orange	Default
2.	8		5,913	8	Black	Default
3.	3		2,682	3	Red	Default
4.	11		1,769	11	Dark Red	Default
5.	18		4,695	18	Grey	Default
6.	9		1,419	9	White	Default



# Production Worksheet

Wilcom EmbroideryStudio - Designing



Design: **4**

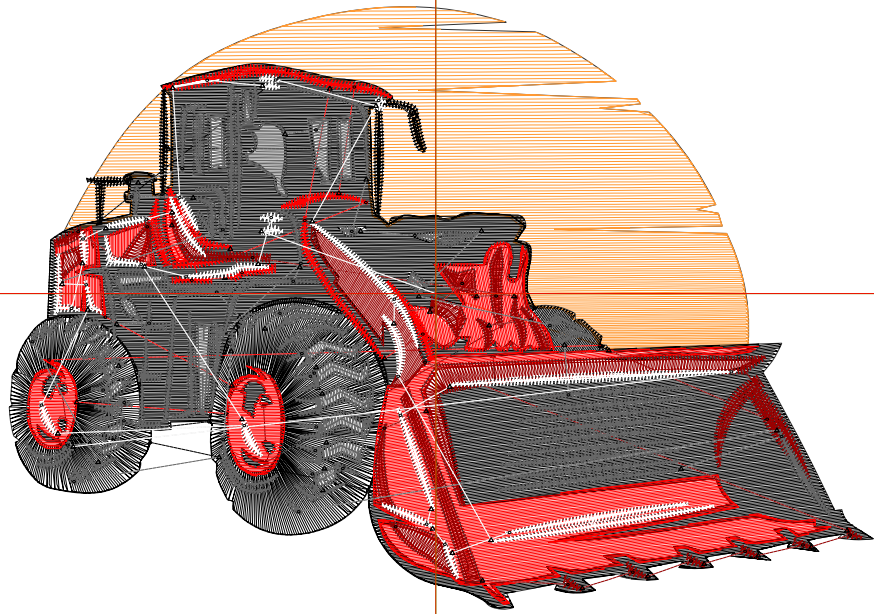
Title:

Stitches: 23,747  
 Height: 3.13 in  
 Width: 4.50 in  
 Colors: 6  
 Colorway: Colorway 1  
 Zoom: 1:1

Machine format: Tajima  
 Color changes: 5  
 Stops: 6  
 Trims: 89  
 Appliqués: 0  
 Left: 56.4 mm  
 Right: 57.9 mm  
 Up: 37.9 mm  
 Down: 41.7 mm  
 EndX: 0.00 in  
 EndY: 0.00 in  
 Area: 14.09 in<sup>2</sup>  
 Max stitch: 7.0 mm  
 Min stitch: 0.0 mm  
 Max jump: 7.0 mm  
 Total thread: 339.17ft  
 Total bobbin: 107.48ft

Stop Sequence:

#	N#	Color	St.	Code	Name	Chart
1.	12		1,669	12	Orange	Default
2.	8		8,461	8	Black	Default
3.	3		3,702	3	Red	Default
4.	11		2,284	11	Dark Red	Default
5.	18		5,899	18	Grey	Default
6.	9		1,730	9	White	Default



# Production Worksheet

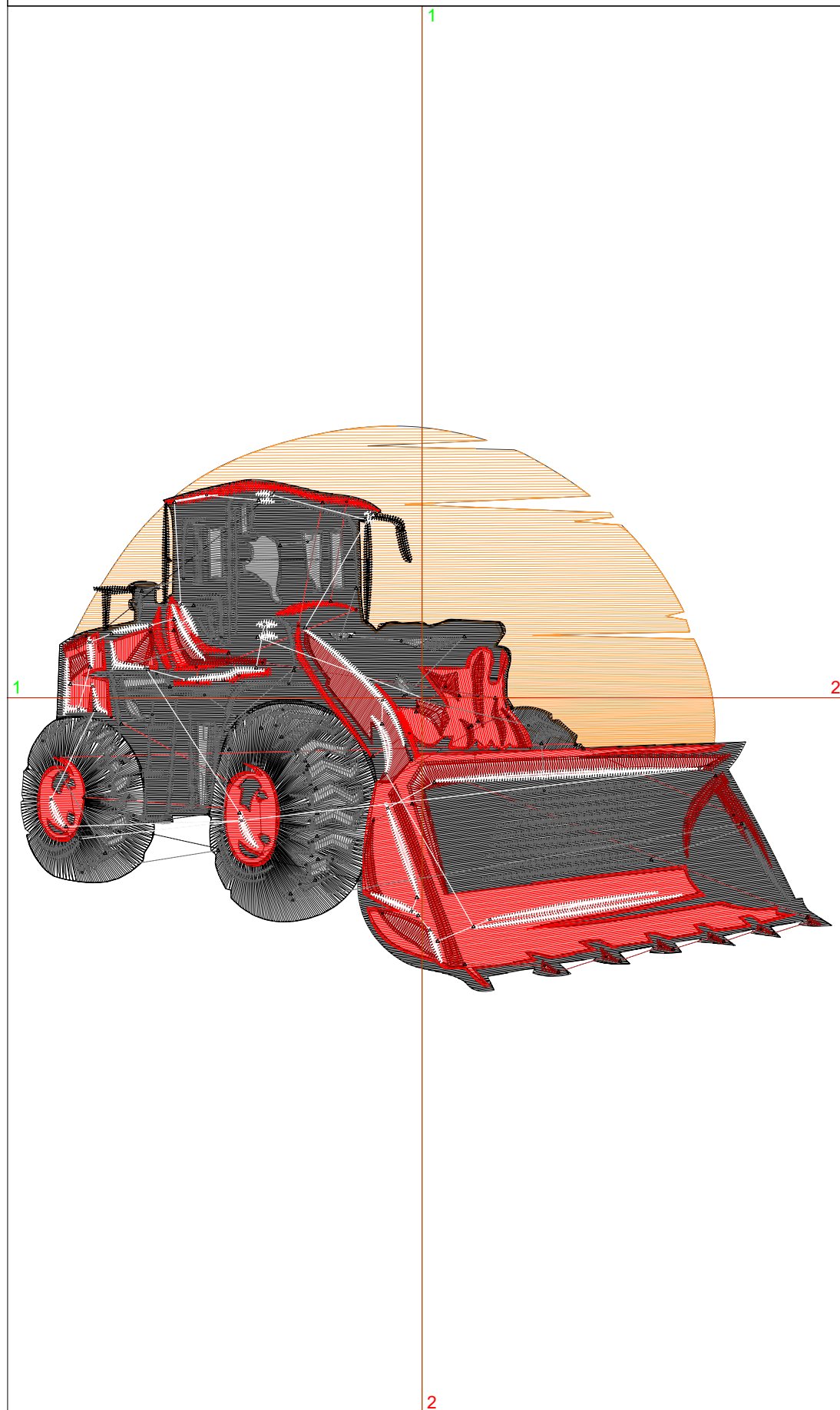
Wilcom EmbroideryStudio - Designing



Design: **5**

Title:

Stitches: 30,516  
Height: 3.83 in  
Width: 5.50 in  
Colors: 6  
Colorway: Colorway 1  
Zoom: 1:1



Machine format: Tajima  
Color changes: 5  
Stops: 6  
Trims: 98  
Appliqués: 0  
Left: 69.1 mm  
Right: 70.6 mm  
Up: 46.8 mm  
Down: 50.5 mm  
EndX: 0.00 in  
EndY: 0.00 in  
Area: 21.06 in<sup>2</sup>  
Max stitch: 6.9 mm  
Min stitch: 0.0 mm  
Max jump: 6.9 mm  
Total thread: 460.16ft  
Total bobbin: 152.86ft

Stop Sequence:

#	N#	Color	St.	Code	Name	Chart
1.	12		2,338	12	Orange	Default
2.	8		11,300	8	Black	Default
3.	3		4,890	3	Red	Default
4.	11		2,779	11	Dark Red	Default
5.	18		7,121	18	Grey	Default
6.	9		2,086	9	White	Default

# Production Worksheet

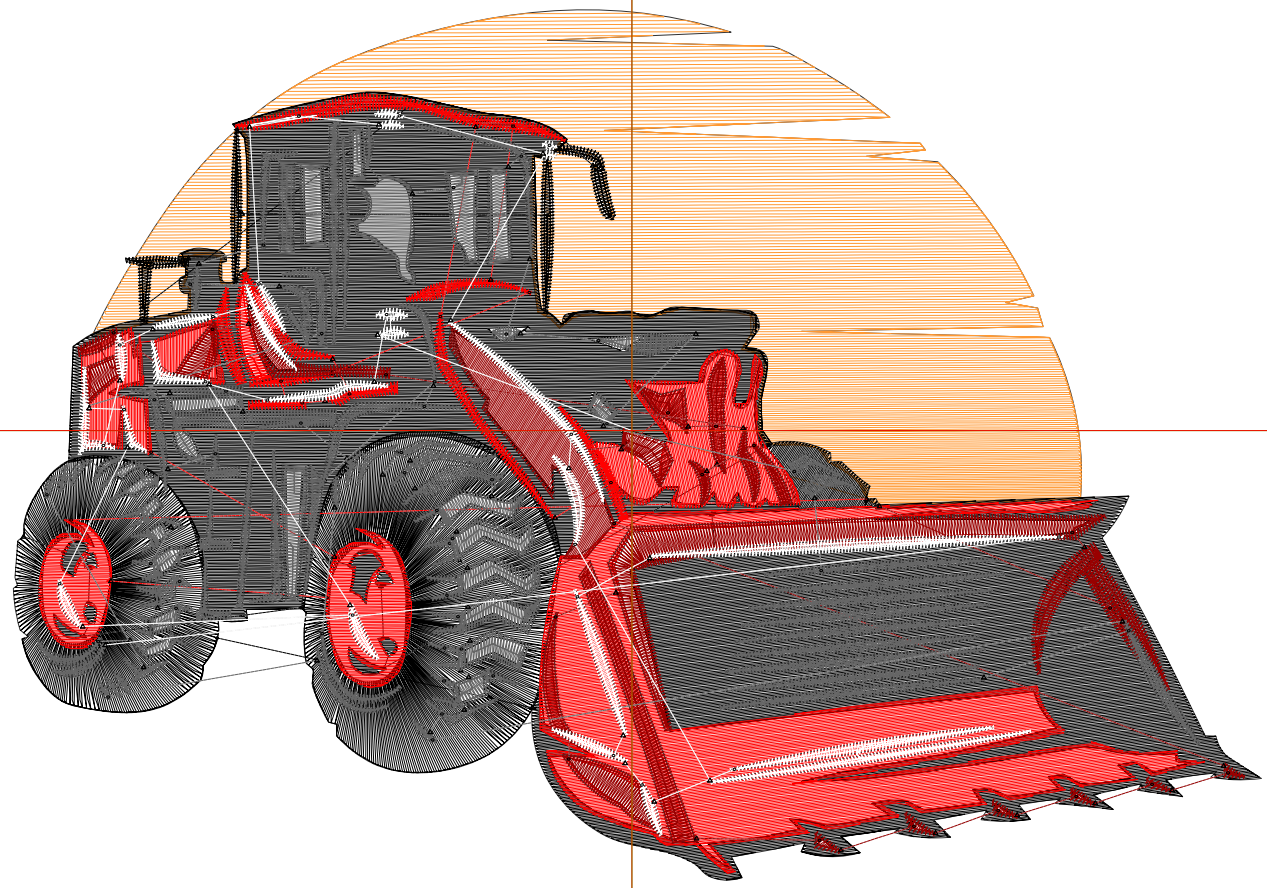
Wilcom EmbroideryStudio - Designing



Design: **6**

Title:

Stitches: 37,819  
Height: 4.51 in  
Width: 6.49 in  
Colors: 6  
Colorway: Colorway 1  
Zoom: 1:1



# Production Worksheet

Wilcom EmbroideryStudio - Designing



Design: **6**

Title:

Stitches: 37,819  
 Height: 4.51 in  
 Width: 6.49 in  
 Colors: 6  
 Colorway: Colorway 1  
 Zoom: 1:1

Machine format: Tajima  
 Color changes: 5  
 Stops: 6  
 Trims: 102  
 Appliqués: 0  
 Left: 81.8 mm  
 Right: 83.0 mm  
 Up: 55.2 mm  
 Down: 59.5 mm  
 EndX: 0.00 in  
 EndY: 0.00 in  
 Area 29.30 in<sup>2</sup>  
 Max stitch: 6.9 mm  
 Min stitch: 0.0 mm  
 Max jump: 6.9 mm  
 Total thread: 598.73ft  
 Total bobbin: 206.58ft

Stop Sequence:

#	N#	Color	St.	Code	Name	Chart
1.	12		3,113	12	Orange	Default
2.	8		14,550	8	Black	Default
3.	3		6,097	3	Red	Default
4.	11		3,299	11	Dark Red	Default
5.	18		8,302	18	Grey	Default
6.	9		2,456	9	White	Default

# Production Worksheet

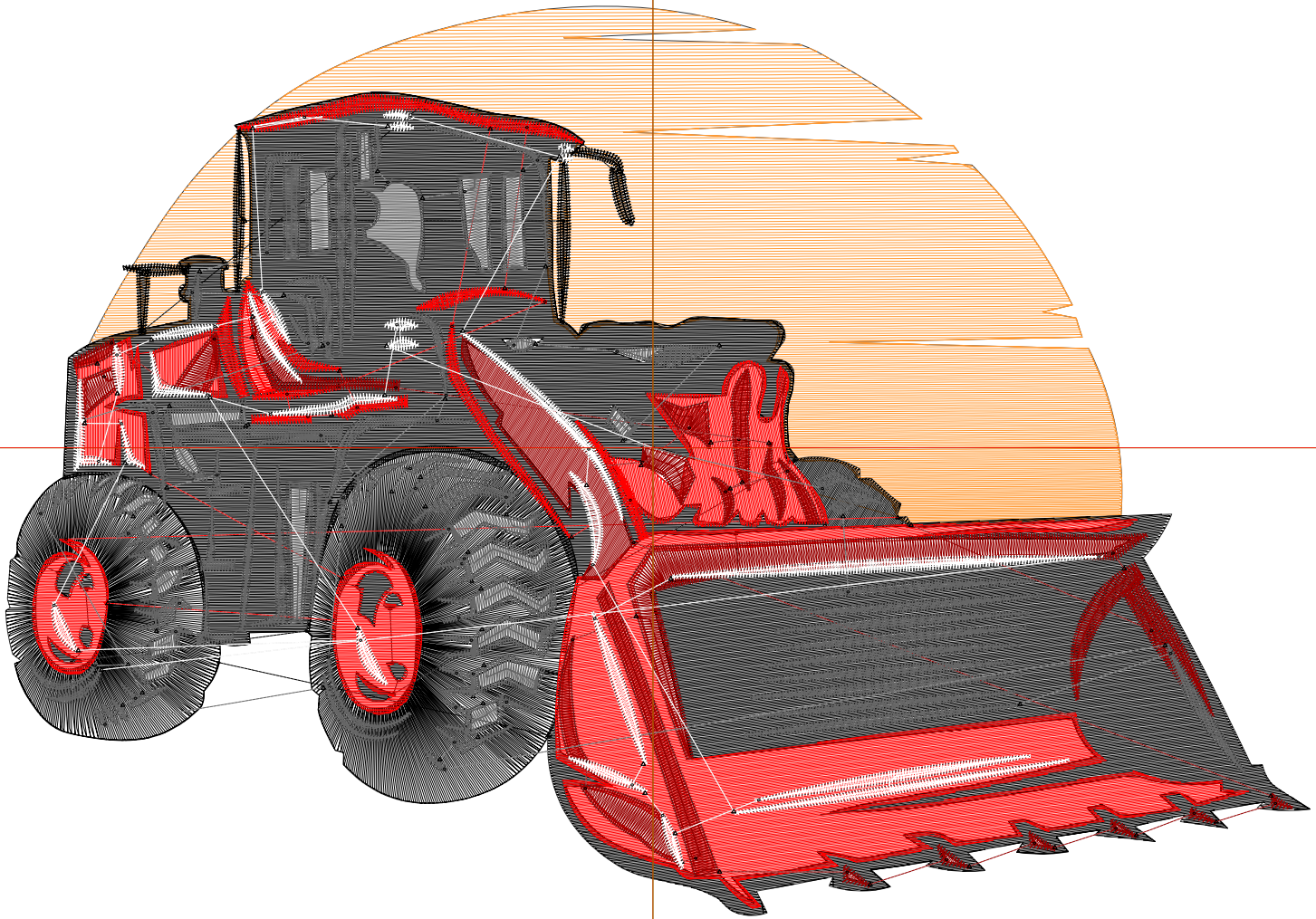
Wilcom EmbroideryStudio - Designing



Design: **7**

Title:

Stitches: 46,059  
Height: 5.21 in  
Width: 7.50 in  
Colors: 6  
Colorway: Colorway 1  
Zoom: 1:1



# Production Worksheet

Wilcom EmbroideryStudio - Designing



Design: **7**

Title:

Stitches: 46,059  
 Height: 5.21 in  
 Width: 7.50 in  
 Colors: 6  
 Colorway: Colorway 1  
 Zoom: 1:1

Machine format: Tajima  
 Color changes: 5  
 Stops: 6  
 Trims: 111  
 Appliqués: 0  
 Left: 94.5 mm  
 Right: 96.0 mm  
 Up: 64.1 mm  
 Down: 68.3 mm  
 EndX: 0.00 in  
 EndY: 0.00 in  
 Area 39.10 in<sup>2</sup>  
 Max stitch: 6.9 mm  
 Min stitch: 0.0 mm  
 Max jump: 7.0 mm  
 Total thread: 759.71ft  
 Total bobbin: 269.94ft

Stop Sequence:

#	N#	Color	St.	Code	Name	Chart
1.	12		3,980	12	Orange	Default
2.	8		18,255	8	Black	Default
3.	3		7,546	3	Red	Default
4.	11		3,902	11	Dark Red	Default
5.	18		9,549	18	Grey	Default
6.	9		2,825	9	White	Default

# Production Worksheet

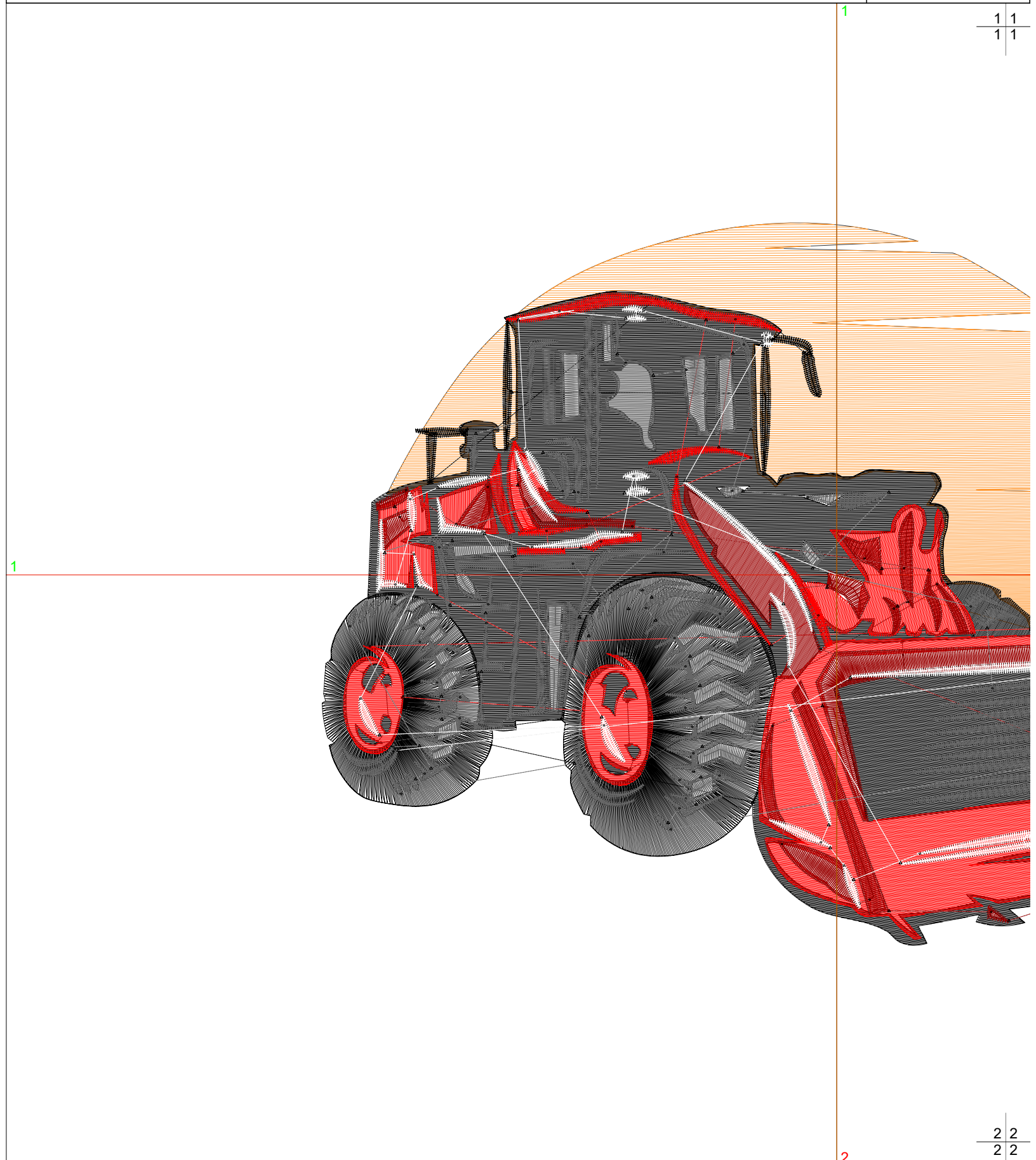
Wilcom EmbroideryStudio - Designing



Design: **8**

Title:

Stitches: 54,650  
Height: 5.93 in  
Width: 8.50 in  
Colors: 6  
Colorway: Colorway 1  
Zoom: 1:1



1	1
1	1

2	2
2	2

# Production Worksheet

Wilcom EmbroideryStudio - Designing



Design: **8**

Title:

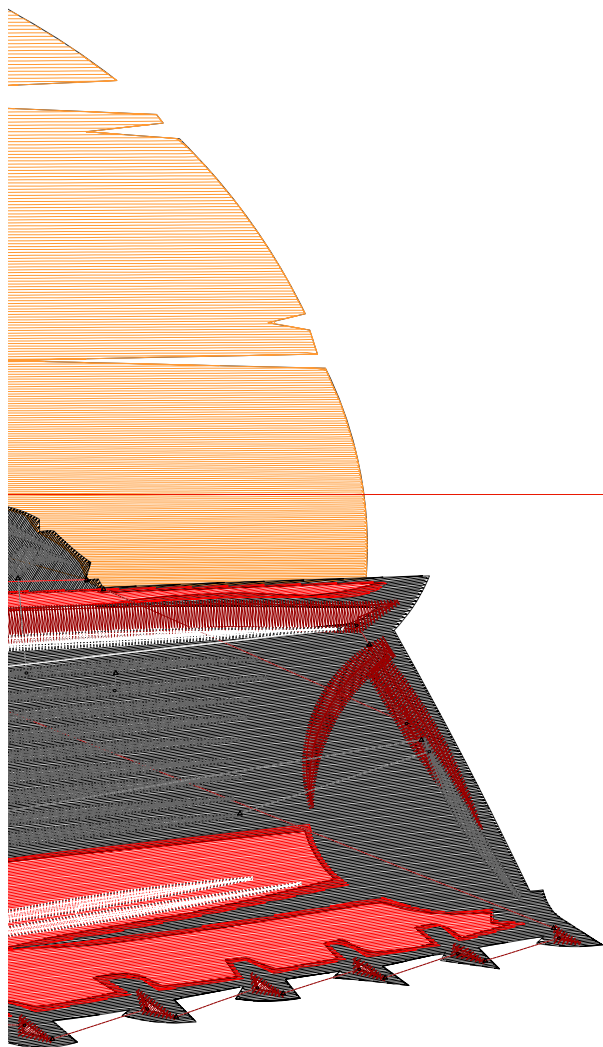
Stitches: 54,650  
 Height: 5.93 in  
 Width: 8.50 in  
 Colors: 6  
 Colorway: Colorway 1  
 Zoom: 1:1

1	1
1	1

Machine format: Tajima  
 Color changes: 5  
 Stops: 6  
 Trims: 117  
 Appliqués: 0  
 Left: 107.2 mm  
 Right: 108.7 mm  
 Up: 73.4 mm  
 Down: 77.2 mm  
 EndX: 0.00 in  
 EndY: 0.00 in  
 Area: 50.37 in<sup>2</sup>  
 Max stitch: 7.0 mm  
 Min stitch: 0.0 mm  
 Max jump: 6.9 mm  
 Total thread: 935.44ft  
 Total bobbin: 340.67ft

Stop Sequence:

#	N#	Color	St.	Code	Name	Chart
1.	12		4,999	12	Orange	Default
2.	8		22,200	8	Black	Default
3.	3		9,043	3	Red	Default
4.	11		4,482	11	Dark Red	Default
5.	18		10,742	18	Grey	Default
6.	9		3,182	9	White	Default



2

2	2
2	2