



Creative Fabrica

**Embroidery Design
Sewing Information**

www.creativefabrica.com/embroidery/

© Creative Fabrica

Production Worksheet

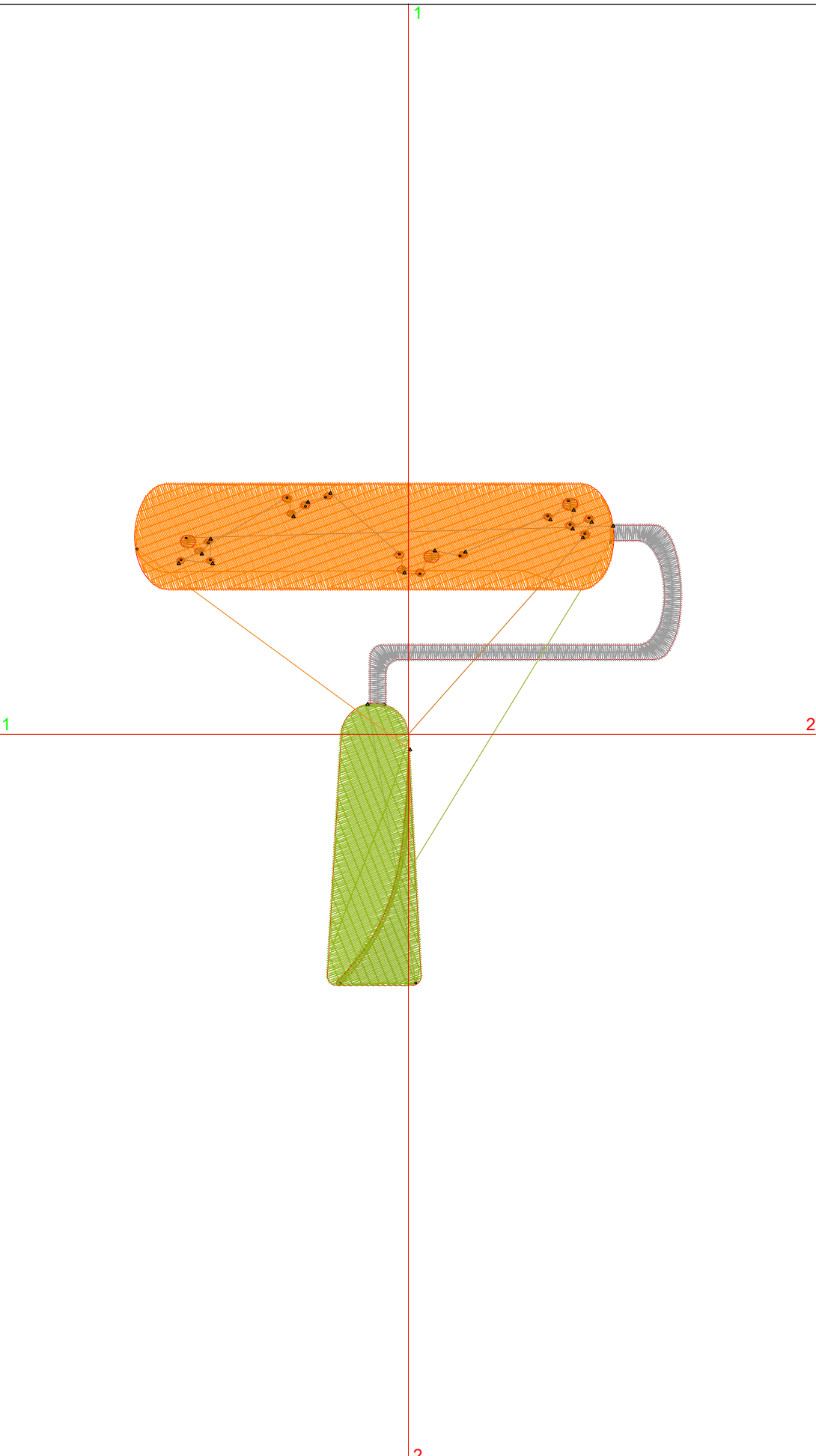
Wilcom TrueSizer



Design: **Paint Roller**

Title: **Paint Roller**

Stitches: 5,710
 Height: 3.50 in
 Width: 3.81 in
 Colors: 5
 Colorway: Colorway 1
 Zoom: 1:1



Machine format: Tajima
 Color changes: 4
 Stops: 5
 Trims: 19
 Auto fabric: Pure Cotton
 Required stabilizer: Topping:
 Backing: Tear Away
 x 2
 Appliqués: 0
 Left: 48.4 mm
 Right: 48.4 mm
 Up: 44.4 mm
 Down: 44.4 mm
 EndX: 0.00 in
 EndY: 0.00 in
 Area: 13.33 in²
 Max stitch: 6.9 mm
 Min stitch: 0.3 mm
 Max jump: 6.9 mm
 Total thread: 112.21ft
 Total bobbin: 43.32ft

Stop Sequence:

#	#	Color	St.	Code	Name	Chart
1.	14	Grey	687	14		Wilcom
2.	45	Light Green	1,117	45		Wilcom
3.	39	Green	606	39		Wilcom
4.	9	Orange	2,889	9		Wilcom
5.	5	Brown	409	5		Wilcom

Color Film

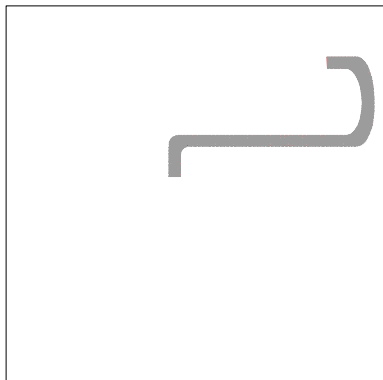
Wilcom TrueSizer



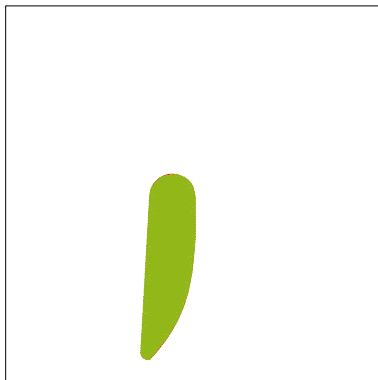
Design: **Paint Roller**

Title: **Paint Roller**

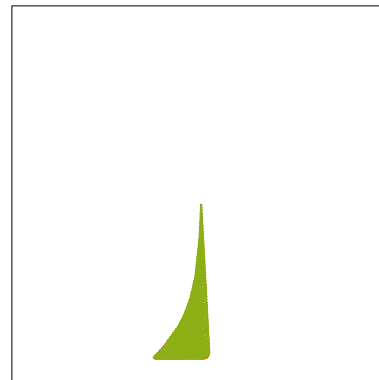
Stitches: 5,710
Height: 3.50 in
Width: 3.81 in
Colors: 5
Colorway: Colorway 1
Zoom: 0.49



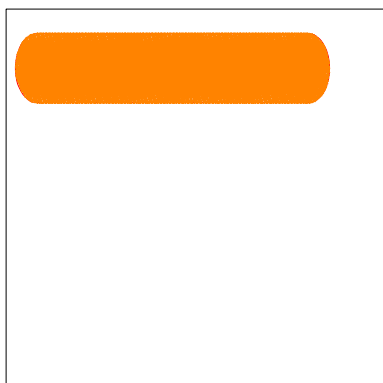
Stop #: 1
Code: 14
Name:
Chart: Wilcom
Stitches: 687
Thread used: 13.82ft



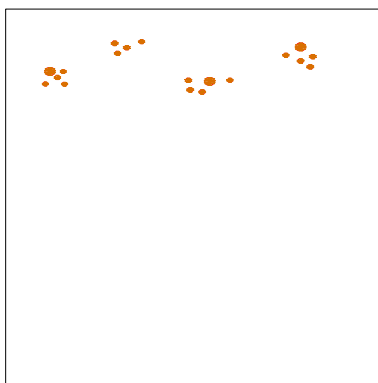
Stop #: 2
Code: 45
Name:
Chart: Wilcom
Stitches: 1,117
Thread used: 21.69ft



Stop #: 3
Code: 39
Name:
Chart: Wilcom
Stitches: 606
Thread used: 9.73ft



Stop #: 4
Code: 9
Name:
Chart: Wilcom
Stitches: 2,889
Thread used: 60.87ft



Stop #: 5
Code: 5
Name:
Chart: Wilcom
Stitches: 409
Thread used: 4.45ft