



# **Creative Fabrica**

**Embroidery Design  
Sewing Information**

**[www.creativefabrica.com/embroidery/](http://www.creativefabrica.com/embroidery/)**

© Creative Fabrica

# Production Worksheet

Wilcom EmbroideryStudio - Designing



Design: **4**

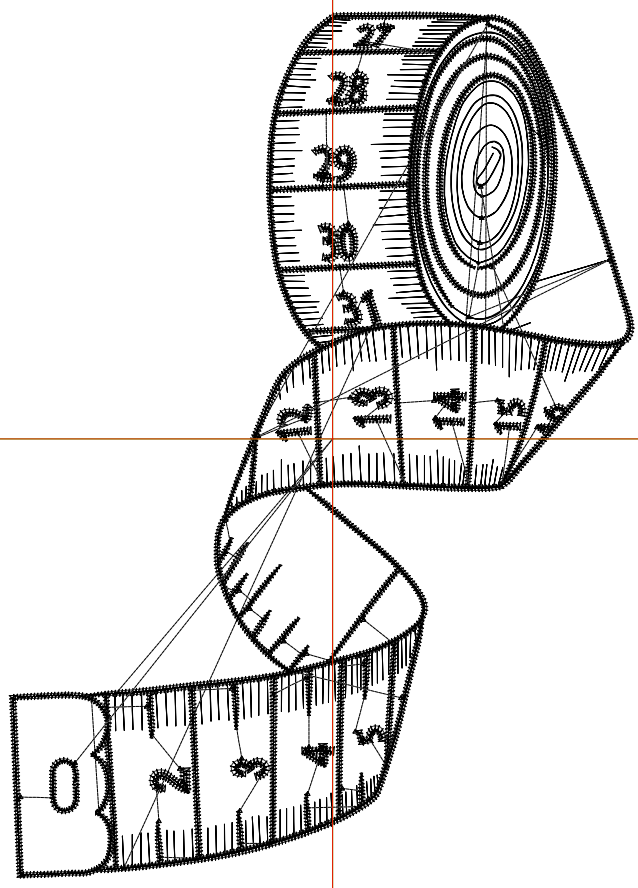
Title:

Stitches: 10,671  
 Height: 114.6 mm  
 Width: 82.7 mm  
 Colors: 1  
 Colorway: Colorway 1  
 Zoom: 1:1

Machine format: Tajima  
 Color changes: 0  
 Stops: 1  
 Trims: 55  
 Appliqués: 0  
 Left: 42.8 mm  
 Right: 39.9 mm  
 Up: 56.5 mm  
 Down: 58.1 mm  
 EndX: 0.0 mm  
 EndY: 0.0 mm  
 Area: 9476.9 mm<sup>2</sup>  
 Max stitch: 6.8 mm  
 Min stitch: 0.0 mm  
 Max jump: 6.8 mm  
 Total thread: 38.28m  
 Total bobbin: 9.98m

Stop Sequence:

#	N#	Color	St.	Code	Name	Chart
1.	8	█	10,669	8	Black	Default



# Production Worksheet

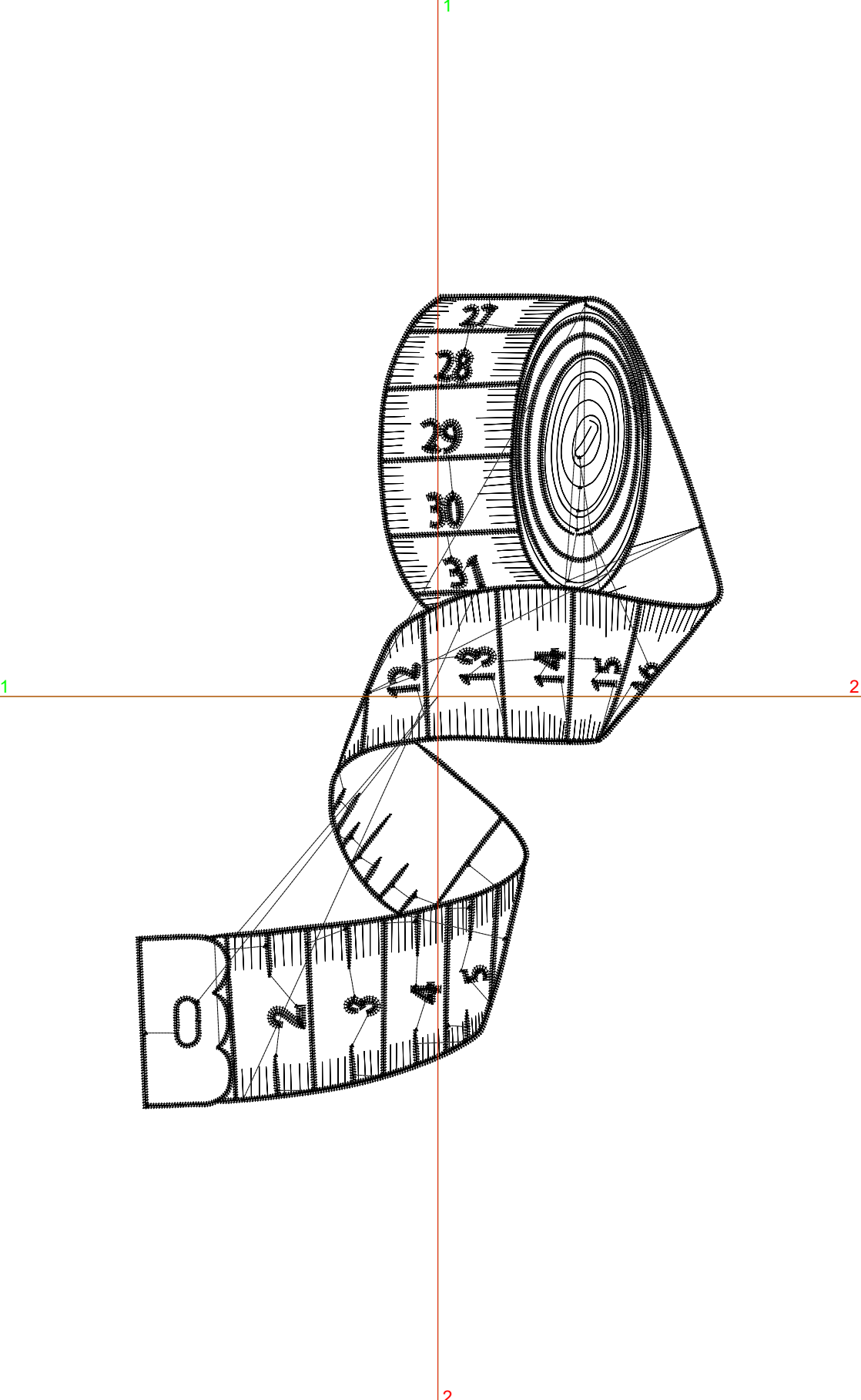
Wilcom EmbroideryStudio - Designing



Design: **5**

Title:

Stitches: 12,740  
 Height: 140.0 mm  
 Width: 101.0 mm  
 Colors: 1  
 Colorway: Colorway 1  
 Zoom: 1:1



Machine format: Tajima  
 Color changes: 0  
 Stops: 1  
 Trims: 59  
 Appliqués: 0  
 Left: 51.9 mm  
 Right: 49.0 mm  
 Up: 69.2 mm  
 Down: 70.8 mm  
 EndX: 0.0 mm  
 EndY: 0.0 mm  
 Area: 14137.2 mm<sup>2</sup>  
 Max stitch: 6.9 mm  
 Min stitch: 0.0 mm  
 Max jump: 6.9 mm  
 Total thread: 47.41m  
 Total bobbin: 12.94m

Stop Sequence:

#	N#	Color	St.	Code	Name	Chart
1.	8	█	12,738	8	Black	Default

# Production Worksheet

Wilcom EmbroideryStudio - Designing



Design: **6**

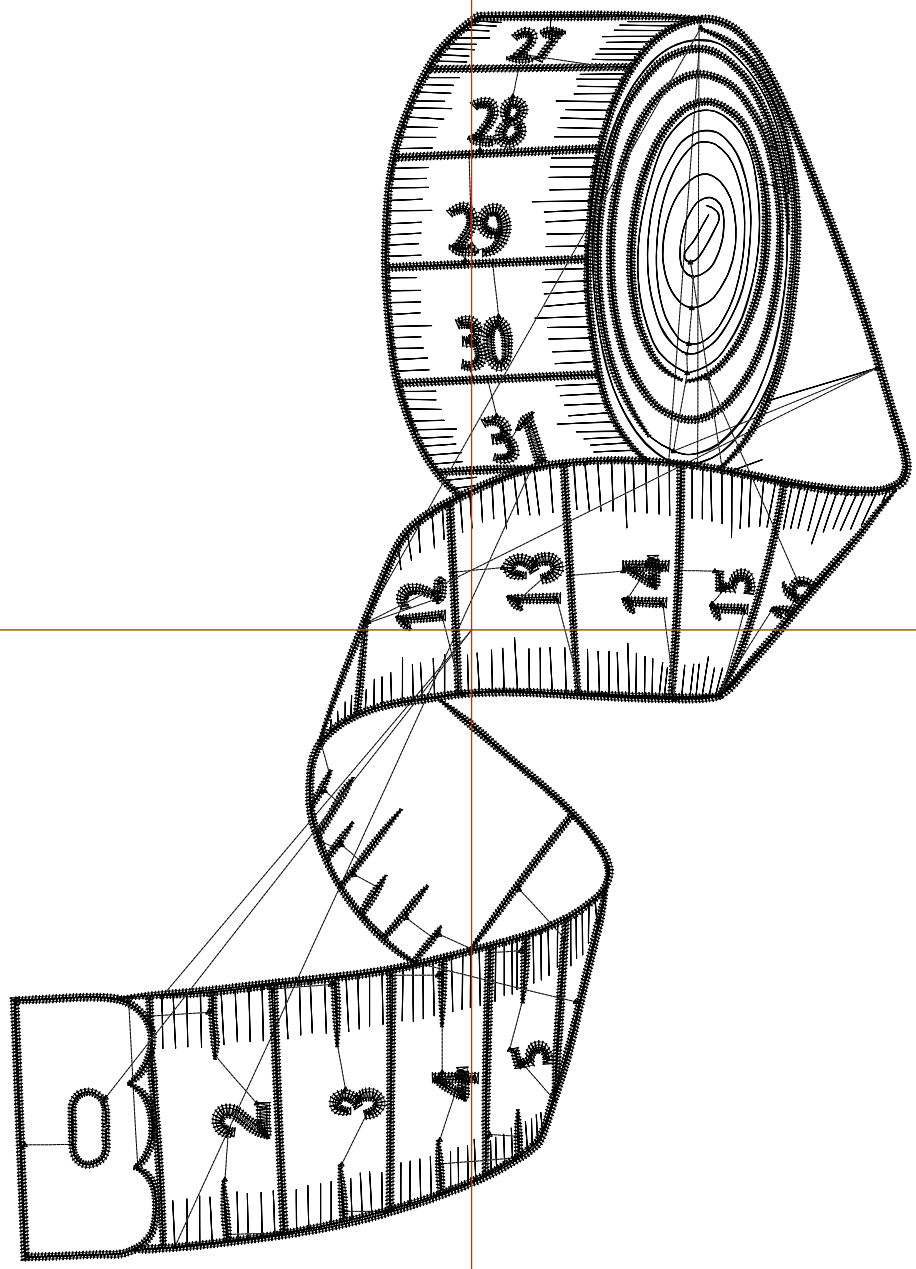
Title:

Stitches: 14,872  
 Height: 165.4 mm  
 Width: 119.3 mm  
 Colors: 1  
 Colorway: Colorway 1  
 Zoom: 1:1

Machine format: Tajima  
 Color changes: 0  
 Stops: 1  
 Trims: 65  
 Appliqués: 0  
 Left: 61.1 mm  
 Right: 58.2 mm  
 Up: 81.9 mm  
 Down: 83.5 mm  
 EndX: 0.0 mm  
 EndY: 0.0 mm  
 Area: 19730.1 mm<sup>2</sup>  
 Max stitch: 6.9 mm  
 Min stitch: 0.0 mm  
 Max jump: 6.9 mm  
 Total thread: 57.19m  
 Total bobbin: 16.21m

Stop Sequence:

#	N#	Color	St.	Code	Name	Chart
1.	8	█	14,870	8	Black	Default



# Production Worksheet

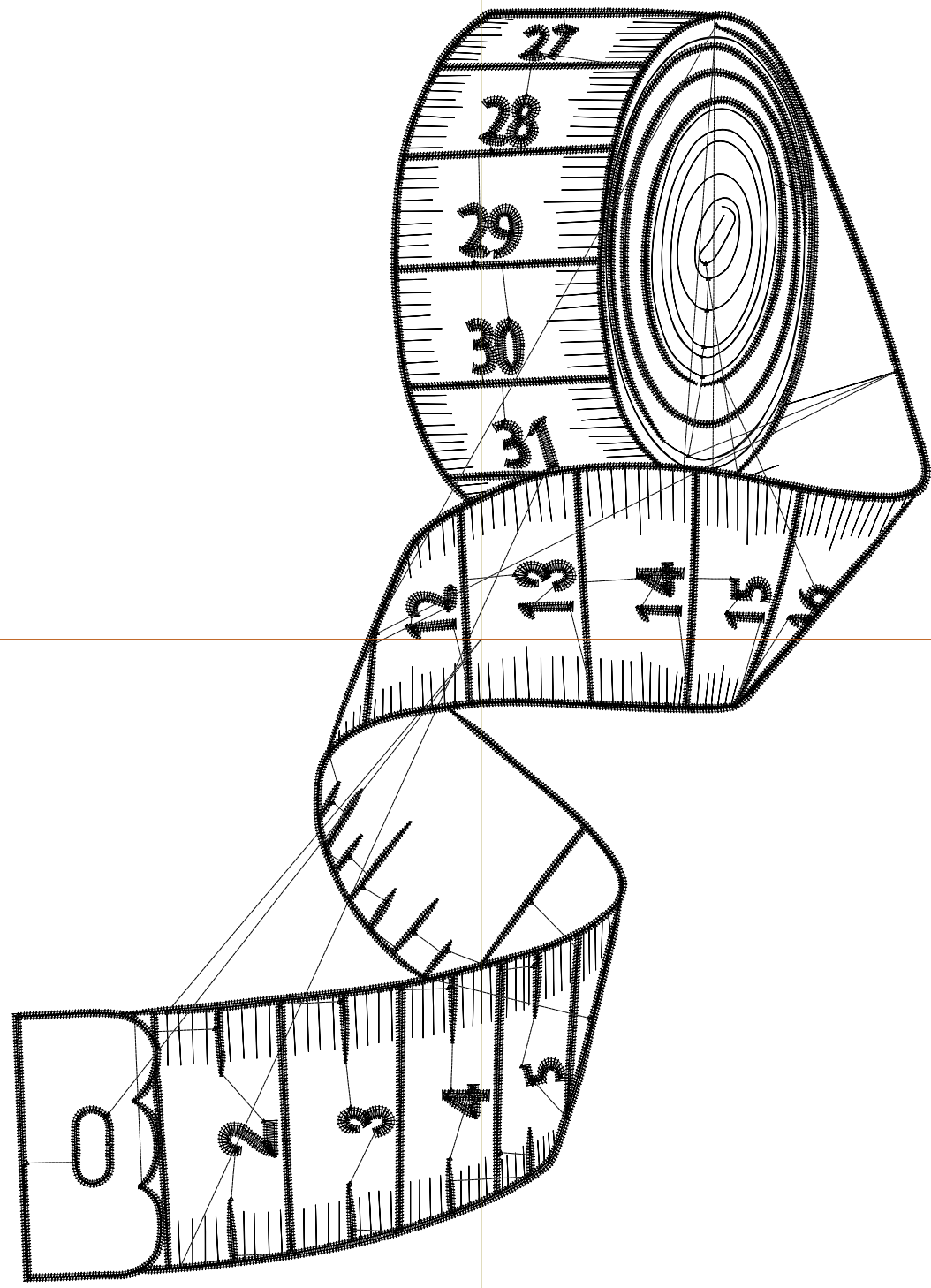
Wilcom EmbroideryStudio - Designing



Design: **7**

Title:

Stitches: 16,978  
 Height: 190.8 mm  
 Width: 137.6 mm  
 Colors: 1  
 Colorway: Colorway 1  
 Zoom: 1:1



Machine format: Tajima  
 Color changes: 0  
 Stops: 1  
 Trims: 65  
 Appliqués: 0  
 Left: 70.2 mm  
 Right: 67.3 mm  
 Up: 94.6 mm  
 Down: 96.2 mm  
 EndX: 0.0 mm  
 EndY: 0.0 mm  
 Area: 26247.7 mm<sup>2</sup>  
 Max stitch: 7.0 mm  
 Min stitch: 0.0 mm  
 Max jump: 7.0 mm  
 Total thread: 67.44m  
 Total bobbin: 19.78m

Stop Sequence:

#	N#	Color	St.	Code	Name	Chart
1.	8	█	16,976	8	Black	Default

# Production Worksheet

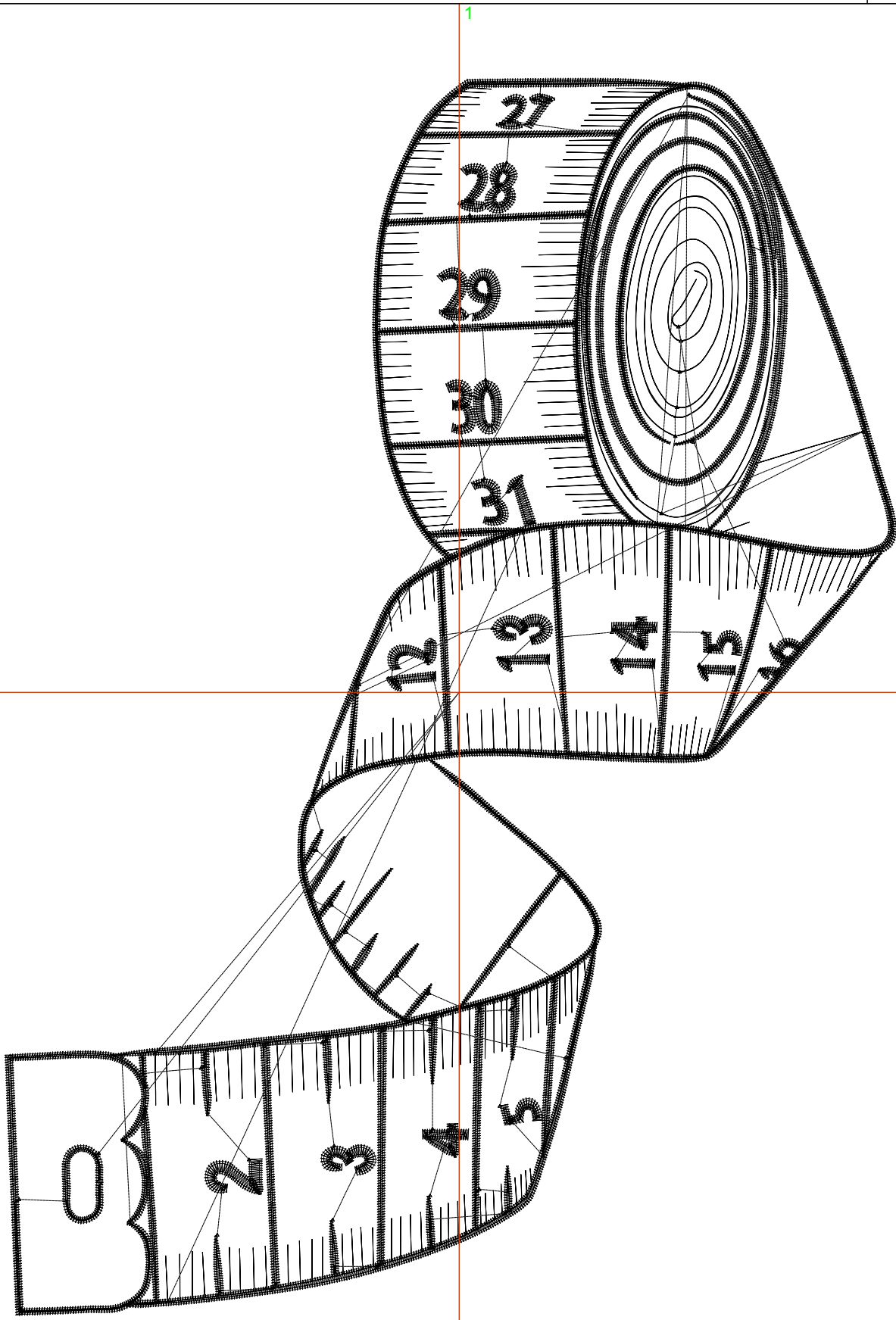
Wilcom EmbroideryStudio - Designing



Design: **8**

Title:

Stitches: 19,074  
Height: 216.2 mm  
Width: 155.9 mm  
Colors: 1  
Colorway: Colorway 1  
Zoom: 1:1



# Production Worksheet

Wilcom EmbroideryStudio - Designing



Design: **8**

Title:

Stitches: 19,074  
Height: 216.2 mm  
Width: 155.9 mm  
Colors: 1  
Colorway: Colorway 1  
Zoom: 1:1

Machine format: Tajima  
Color changes: 0  
Stops: 1  
Trims: 68  
Appliqués: 0  
Left: 79.4 mm  
Right: 76.5 mm  
Up: 107.3 mm  
Down: 108.9 mm  
EndX: 0.0 mm  
EndY: 0.0 mm  
Area 33698.7 mm<sup>2</sup>  
Max stitch: 7.0 mm  
Min stitch: 0.0 mm  
Max jump: 7.0 mm  
Total thread: 78.16m  
Total bobbin: 23.65m

Stop Sequence:

#	N#	Color	St.	Code	Name	Chart
1.	8	█	19,072	8	Black	Default